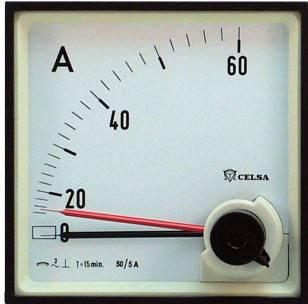


# ANALOGUE MEASURING INSTRUMENTS

## BIQ...n - Maximum demand indicators



- Class 3
- For connection to current transformers
- Secondary 5 A or 1 A
- With interchangeable scale

### Description

The movement consists of a bimetallic spiral which is expanded by the heat caused by the current circulating in it, driving the pointer. A second spiral, mounted in opposition, compensates the effect of the ambient temperature. The ambient temperature which can oscillate from -10 °C up to +55 °C.

Due to its long response time, short interval current peaks are not registered and the instrument indicates by a black pointer the mean of the r.m.s. current in a specified period of time (15 minutes). The maximum indication is registered by the position of the red pointer, dragged by the black one. By means of a sealable knob it is possible to reset the red pointer to the position of the black one in order to make a new reading. The maximum demand meters are used to monitor lines in feeders, transformers and electrical installations in general.

Overload capacity according to DIN 43780

Continuously	1,2 times nominal value
Short duration	10 times nominal value

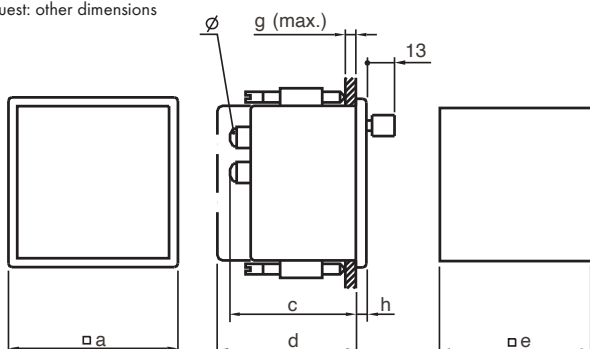
Saturating current transformers shall be used to protect the instruments against overloads exceeding this rating.

### Scales

The full-scale value is 1.2 times  $I_n$ , ( $I_n$  is the rated primary current of the current transformer). 90° scale, quadratic. Coarse-fine division.

Dimensions in mm / Weight in gramme									
Type		a	c	d	e	g	h	Ø	Weight
BIQ72n	.../5 A	72	55	74	68 <sup>+0,7</sup>	8 <sup>1</sup>	4,6	M6	190
	.../1 A	72	55	74	68 <sup>+0,7</sup>	8 <sup>1</sup>	4,6	M4	190
BIQ96n	.../5 A	96	55	74	92 <sup>+0,8</sup>	8 <sup>1</sup>	5	M6	250
	.../1 A	96	55	74	92 <sup>+0,8</sup>	8 <sup>1</sup>	5	M8	250

On request: other dimensions



Celsa Messgerate España S.L.  
 www.celsamessgerate-spain.com  
 info@celsaspain.com / +34 96 130 93 78

### Technical Features

Type		BIQ72	BIQ96n
Front frame	(mm)	72 x 72	96 x 96
Scale length	(mm)	91	97
Consumption	.../5A	2,5 VA	2,5 VA
	.../1A	1,6 VA	1,6 VA
Setting time at transformer	15 min	●	●
	.../5A	●	●
	.../1A	●	●
Transformer primary current (A) = 100%		Final scale value (A) = 120% Primary rated current + 20% overload	
A	5	6	6
	10	12	12
	15	18	18
	20	24	24
	25	30	30
	30	36	36
	40	48	48
	50	60	60
	60	72	72
	75	90	90
	100	120	120
	125	150	150
	150	180	180
	200	240	240
	250	300	300
	300	360	360
	400	480	480
500	600	600	
600	720	720	
750	900	900	
800	960	960	
1,0 kA	1,2 kA	1,2 kA	
1,2 kA	1,4 kA	1,4 kA	
1,5 kA	1,8 kA	1,8 kA	
2,0 kA	2,4 kA	2,4 kA	
2,5 kA	3,0 kA	3,0 kA	
3,0 kA	3,6 kA	3,6 kA	
4,0 kA	4,8 kA	4,8 kA	
Terminal cover		●	●

Backside terminal cover for protection according to VBG 4 (Please indicate when ordering)

### Connection diagrams BIQ

Direct connection

Connection via transformer

