

ANALOGUE MEASURING INSTRUMENTS

EQ..n SWT-3 / EQ..n SWT-6 Moving iron voltmeter with selector switch



- Clase 1.5

Description

Three-phase voltmeters are used for measuring the voltages between phases, or phase-phase and phase-neutral in a line. They incorporate a switch in order to select the wires between which the measurement is desired. The EQ..n SWT-3 also has a position of disconnection in the switch (OFF). Their frequency range is 25 to 100 Hz. They indicate the rms value of the voltage, even with high harmonics, with a minor influence on the accuracy.

Electrical data

Overload capacity according to DIN 43780

Continuously 1,2 times rated value

Short duration 2 x UN 5 s voltmeters

The setting time is approximately 1 minute.

Consumption 3,5 VA max.

Moving iron voltmeter

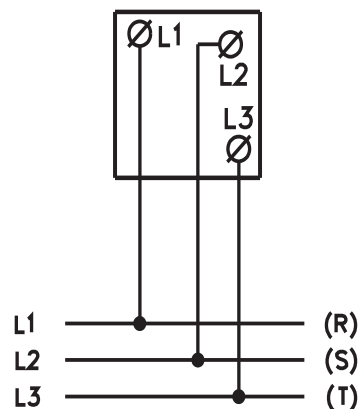
Moving-iron movement with silicone oil damping in the voltmeters. They use hairsprings for the creation of the restoring torque, and pivot suspension with spring-loaded jewel bearings for vibration and shock resistance.

Scales

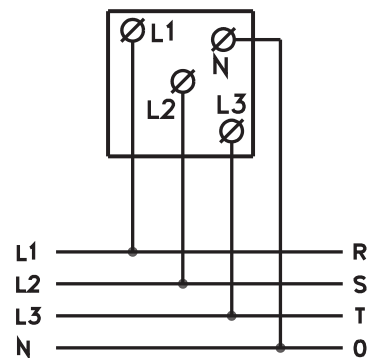
90° scale with coarse-fine division. Scales are practically linear for ammeters, and compressed at the beginning for the voltmeters.

Connection diagrams

EQ...SWT-3



EQ...SWT-6



ANALOGUE MEASURING INSTRUMENTS

Technical Features				EQ72n SWT-6	EQ96n SWT-6	EQ72n SWT-3	EQ96n SWT-3
Type							
Front frame (mm)				72 x 72	96 x 96	72 x 72	96 x 96
Scale length (mm)				91	97	91	97
Panel cut-out (mm)				66 ^{+0,7}	92 ^{+0,8}	66 ^{+0,7}	92 ^{+0,8}
Installation depth (mm)				55	55	55	55
Switch settings	Measuring range						
6 positions without zero position L3-L1, L2-L3, L1-L2, L1-N, L2-N, L3-N	V=	150		●	●	-	-
		250		●	●	-	-
		300		●	●	-	-
		400		●	●	-	-
		500		●	●	-	-
		600		●	●	-	-
	For connection to voltage transformer	.../100* .../110*		● ●	● ●	- -	- -
Switch settings	Measuring range						
3 position with zero position L1-L3, L2-L3, L1-L2, OFF	V=	150		-	-	●	●
		250		-	-	●	●
		300		-	-	●	●
		400		-	-	●	●
		500		-	-	●	●
	600		-	-	●	●	
	For connection to voltage transformer	.../100* .../110*		- -	- -	● ●	● ●
Terminal cover according to VGB 4 included				●	●	●	●

* Please indicate primary voltage and final scale value when ordering

Dimensions in mm / Weight in gramme										
Type	a	b	c	d	e	f	g	h	Ø	Weight
EQ72n SWT-3/-6	72	-	53	68	68 ^{+0,7}	-	40	5	M4	190
EQ96n SWT-3/-6	96	-	53	68	92 ^{+0,8}	-	40	5	M4	230

