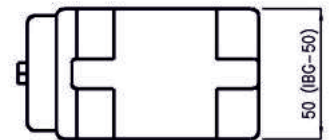
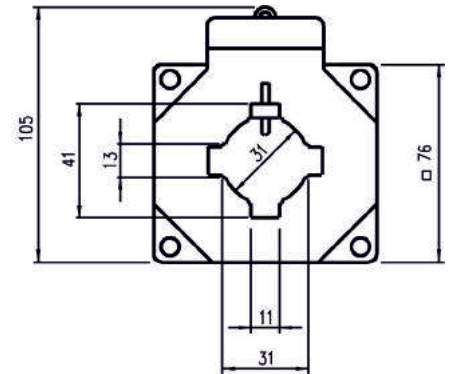


# CURRENT TRANSFORMERS

## IBG-50 Protective current transformers



|                  |            |
|------------------|------------|
| Round conductor: | Ø 30 mm    |
| Primary bar:     | 40 x 10 mm |



### IBG-50 Technical Features, Executions

| Primary rated current A | Rated burdens VA (sec. .../5A , .../1A) |             |           |            |
|-------------------------|---|-------------|-----------|------------|
|                         | Class 5P10                              | Class 10P10 | Class 5P5 | Class 10P5 |
| 150                     | -                                       | -           | 2,5       | 2,5        |
| 200                     | 1,25                                    | 1,25        | 2,5       | 2,5        |
| 250                     | -                                       | -           | 1,25      | 1,25       |
| 300                     | -                                       | -           | 1,25      | 1,25       |
| 400                     | -                                       | -           | 2,5       | 2,5        |
| 500                     | -                                       | -           | 2,5       | 3,75       |
| 600                     | -                                       | -           | 2,5       | 3,75       |
| 750                     | -                                       | -           | 3,75      | 5          |
| 800                     | -                                       | -           | -         | 1,25       |
| 1000                    | -                                       | -           | -         | 1,25       |

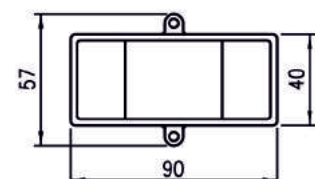
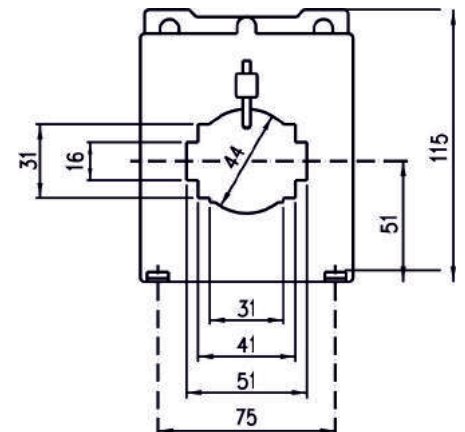
Included in delivery: Primary fixing device

Accessories: Mounting feet / snap on mounting bracket EN 50022-35

## IBR Protective current transformers



|                  |                              |
|------------------|------------------------------|
| Round conductor: | Ø 44 mm                      |
| Primary bar:     | 50 x 15 mm<br>2 x 40 x 10 mm |



### IBR Technical Features, Executions

| Primary rated current A | Rated burdens VA (sec. .../5A) |            | Rated burdens VA (sec. .../1A) |            |
|-------------------------|--------------------------------|------------|--------------------------------|------------|
|                         | Class 5P5                      | Class 10P5 | Class 5P5                      | Class 10P5 |
| 400                     | 1,25                           | 1,25       | 1,25                           | 1,25       |
| 500                     | 1,25                           | 1,25       | 2,5                            | 2,5        |
| 600                     | 2,5                            | 2,5        | 2,5                            | 2,5        |
| 750                     | 2,5                            | 2,5        | 3,75                           | 3,75       |
| 800                     | 2,5                            | 2,5        | 3,75                           | 3,75       |
| 1000                    | 2,5                            | 2,5        | 5                              | 5          |
| 1200                    | 1,25                           | 1,25       | 3,75                           | 3,75       |
| 1500                    | 1,25                           | 1,25       | 5                              | 5          |

Included in delivery: Primary fixing device

Accessories: Mounting feet / snap on mounting bracket EN 50022-35