

-

08 Switches - Position Indicators

SWITCHES - POSITION INDICATORS

Voltmeter- and ammeter switches:

Voltmeter- and ammeter switches are applied to select the AC phases to be measured. This way, one single instrument can be used for measurement of current or voltage of different phases, respectively phase-to-phase and phase-to-zero. Some types additionally have a zero-position. Switches are available for panel-mounting or DIN-rail mounting. Panel-mounting-types are 4-hole screw-fixing, or one-hole-central-fixing.

Position indicators:

Position indicators display the actual position of circuit-breakers and isolators. They are designed for mounting in instrument-panels or in Mimic panels. The position indicators are available for AC and DC voltages and in different formats and sizes.

VOLT- AND AMMETER SWITCHES

TP - Serie

page 8/1

POSITION INDICATORS

PI / PIR

page 8/2

SWITCHES - POSITION INDICATORS

TP Serie - Volt- and ammeter switches



- Mounting by 4 screws
- For front panel mounting

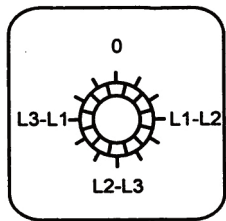
Application

Mounting by 4-hole screw-fixing, degree of protection IP65, rated current $I_n = 16A$, rated voltage 690V, frontplate labelled, handle in black color. Switches are completely wired and labelled. Clamps are protected against direct contact according to VDE 0106, chapter 100 and VBG 4 respectively.

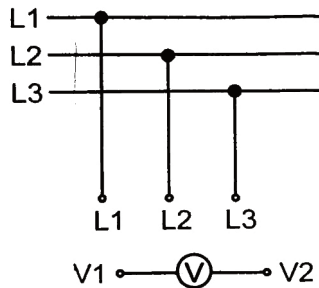
VOLTMETER

Voltmeter switch with "0" position, 3 phase to phase voltages

TP-701



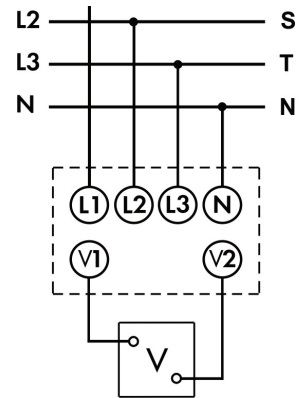
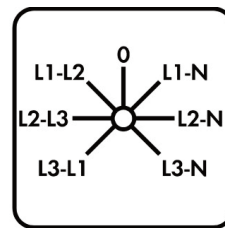
90 Degree



VOLTMETER

Voltmeter switch with "0" position, 3 phase to phase voltages and 3 phases against neutral

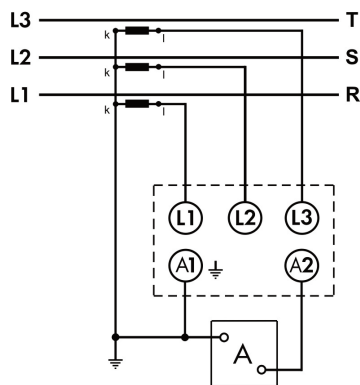
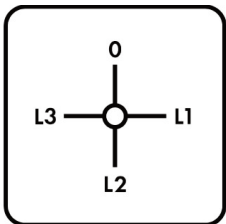
TP-705



AMMETER

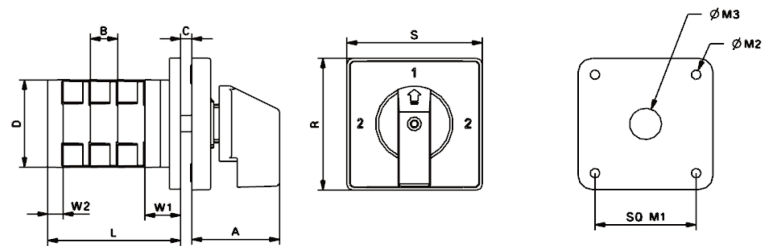
Ammeter switch with "0" position, 1 pole, 3 current transformers

TP-731



Dimensions in mm

Type	A	B	Cmax	D	M1	M2	M3	R	S	W1	W2
TP-705	29	9.5	4	43	36	4	7	60	48	19	5

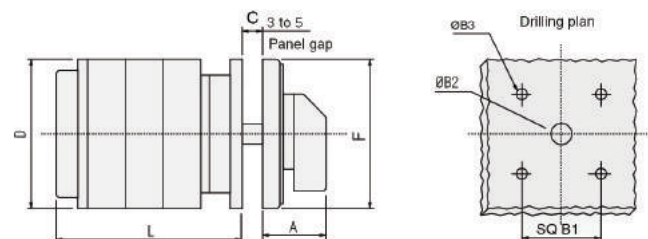


Length (L) = No. of Stages of Prog x B + W1 + W2

Drilling Plane

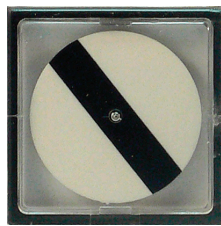
Dimensions in mm

Type	A	C	D	F	L	A+L+C	B1	B2	B3
TP-701	28	5	45	48	46	79	36	12	45
TP-731	28	5	45	48	58	91	36	12	45



SWITCHES - POSITION INDICATORS

PI / PIR - Position Indicators



- Easy mounting
- Wide band voltage inputs
- Independent working position

Electronic position indicators on request

	DC voltages 24 - 230 V					AC voltages 24 - 230 V				
Type	PI 24	PI 25	PI 36	PI 29	PI 39	PIR24	PIR25	PIR36	PIR29	PIR39
Front frame	□ 24,0	□ 25,0	□ 36,0	∅ 29,0	∅ 39,0	□ 24,0	□ 25,0	□ 36,0	∅ 29,0	∅ 39,0
Housing	∅ 21,8	∅ 21,8	∅ 21,8	∅ 21,8	∅ 21,8	∅ 21,8	∅ 21,8	∅ 21,8	∅ 21,8	∅ 21,8
Installation depth	94	94	94	94	94	94	94	94	94	94
Cut out	∅ 22 ^{+0,5}	∅ 22 ^{+0,5}	∅ 22 ^{+0,5}	∅ 22 ^{+0,5}	∅ 22 ^{+0,5}	∅ 22 ^{+0,5}	∅ 22 ^{+0,5}	∅ 22 ^{+0,5}	∅ 22 ^{+0,5}	∅ 22 ^{+0,5}
Front panel thickness	0... 12	0... 12	0... 12	0... 12	0... 12	0... 12	0... 12	0... 12	0... 12	0... 12
Weight approx.	0,1 kg	0,1 kg	0,15 kg	0,12 kg	0,12 kg	0,1 kg	0,1 kg	0,15 kg	0,12 kg	0,12 kg

Mounting dimension in mm. Options: spacer 121 702 for mimic panels, 24 - 36 mm.

Electrical features

Position indicators for AC and DC voltages between 24 - 90 V and 91 - 230 V available.

PI PIR	Connect to DC voltages Connect to AC voltages
Consumption	0,4 W at 110 V 1,4 W at 230 V
Test voltage	3,7 kV

Norms

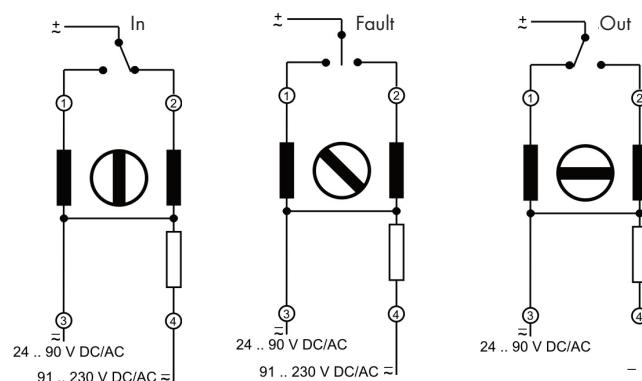
Our position indicators are manufacture according the following standards:
IEC51, EN50081-1, EN50082-1, EN50081-2, EN50082-2, IEC 473

Persons safety	EN 61010-1 Category III, table D12, double insulation
Voltage range	max. 300 V

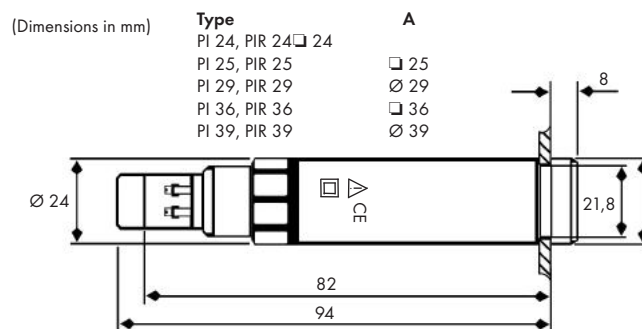
Mechanical Features

Design	Round plastic case with round or square front frame for panel mounting (PI/PIR 25/29/36) or mimic panels (PI/PIR 24)
Housing material	Polycarbonat UL 94 VO
Front frame	Plastic
Front frame color	Black
Working position	Independent
Mounting	Connecting nut
Connecting clamps	Screw clamps till 1,5 mm ² with terminal cover
Protection	IP54

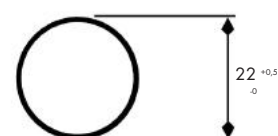
Connecting diagrams:



Dimensions:



Cut out





Celsa Messgerate España S.L.

Els Francs 7

46116 Masias-Moncada

(Polígono Industrial Moncada II)

Valencia- España

Telephone: +34 961 309 378

Web: www.celsamessgerate-spain.com

Email: info@celsaspain.com

Technical modification rights reserved

© COPYRIGHT 2024