

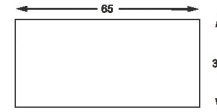
CURRENT TRANSFORMERS

AST Line - Protective Current transformers

ASTP635H Protective current transformers



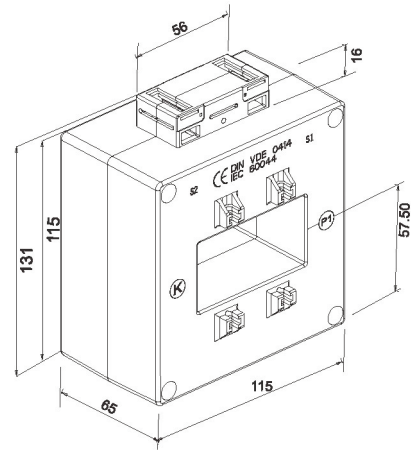
Dimensions: 115 x 131 x 65 mm
 Primary bar: 60 x 30 mm



ASTP635H Technical Features, Executions

Primary rated current A	Rated burdens VA (sec. .../5A)		
	Class 5P10	Class 5P20	Class 10P20
300	5	-	5
400	10	5	5
500	10	5	5
600	10	5	5
630	10	5	5
700	10	5	5
750	10	5	5
800	10	5	10
1000	15	5	10
1200	15	10	10
1250	15	10	10
1500	15	10	10
1600	15	10	10
2000	15	-	10

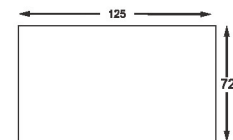
Included: Primary busbar
 Accesories: mounting feet / Snap on mounting EN 50022-35



ASTP1257H Protective current transformers



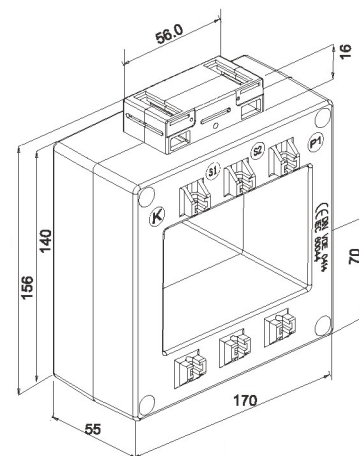
Dimensions: 170 x 156 x 55 mm
 Primary bar 120 x 70 mm



ASTP1257H Technical Features, Executions

Primary rated current A	Rated burdens VA (sec. .../5A)			
	Class 5P10	Class 10P10	Class 5P20	Class 10P20
800	15	10	-	5
1000	15	10	-	5
1200	15	10	5	10
1250	15	10	5	10
1500	15	10	5	10
1600	15	10	5	10
2000	15	10	-	10
2500	15	10	-	10
3000	15	10	-	10
3200	15	10	-	10
3500	15	10	-	-
4000	15	10	-	-

Included: Primary busbar
 Accesories: mounting feet / Snap on mounting EN 50022-35

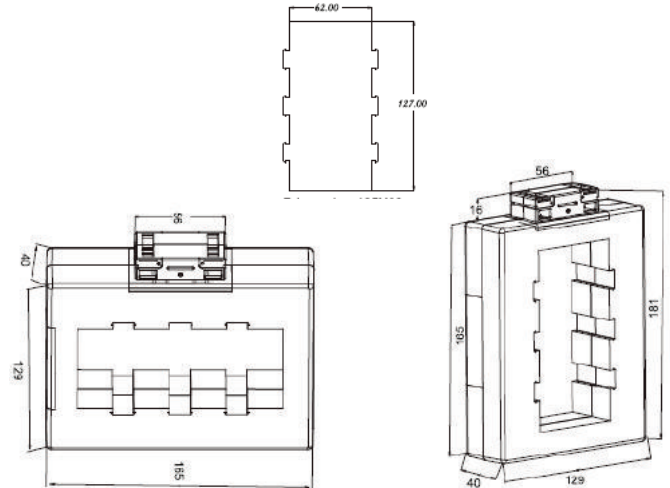


CURRENT TRANSFORMERS

AST1256 - Protective current transformers



Dimensions:	
AST1256	165 x 145 x 40 mm
AST1256V	129 x 181 x 40 mm
Primary bar:	125 x 60 mm



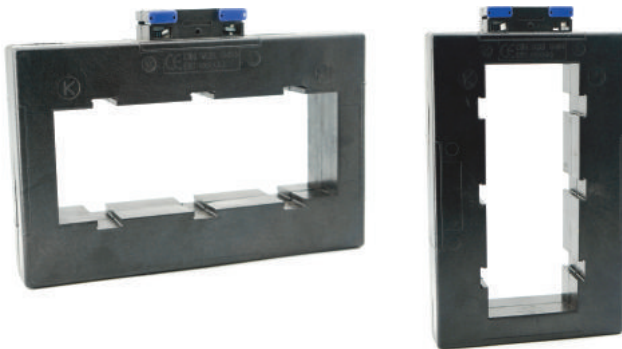
AST1256/AST1256V Technical Features, Executions

Primary rated current A	Rated burdens VA (sec. .../5A)			
	Class 5P10	Class 10P10	Class 5P20	Class 10P20
1500	10	10	2.5	2.5
2000	15	15	5	5
2500	20	20	5	5
3000	20	20	5	5
3200	30	30	7.5	7.5
3500	30	30	7.5	7.5
4000	20	20	-	-

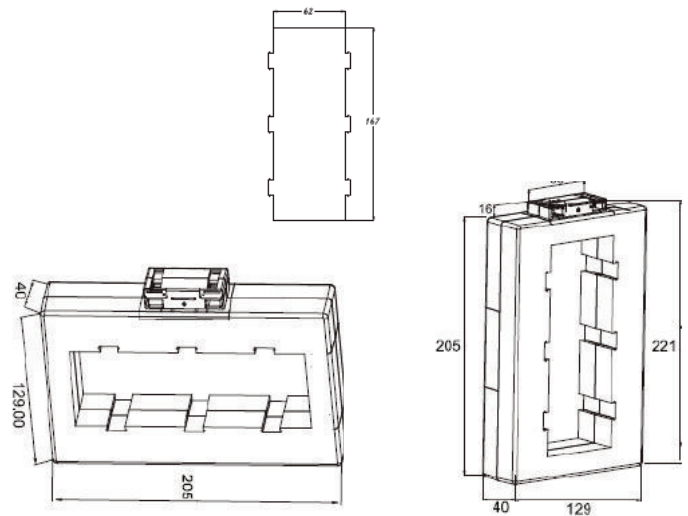
Included: Primary busbar

Accessories: mounting feet / Snap on mounting EN 50022-35

AST1656 - Protective current transformers



Dimensions:	
AST1656	205 x 145 x 40 mm
AST1656V	129 x 221 x 40 mm
Primary bar:	165 x 60 mm



AST1656/AST1656V Technical Features, Executions

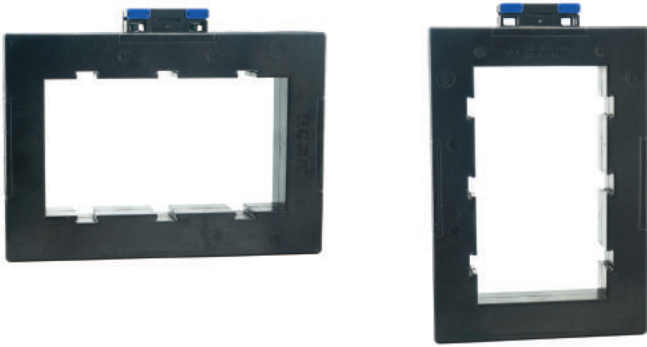
Primary rated current A	Rated burdens VA (sec. .../5A)			
	Class 5P10	Class 10P10	Class 5P20	Class 10P20
2000	15	15	2.5	2.5
2500	20	20	3.75	3.75
3000	20	20	5	5
3200	20	20	5	5
3500	20	20	5	5
4000	30	30	5	5
5000	30	30	7.5	7.5

Included: Primary busbar

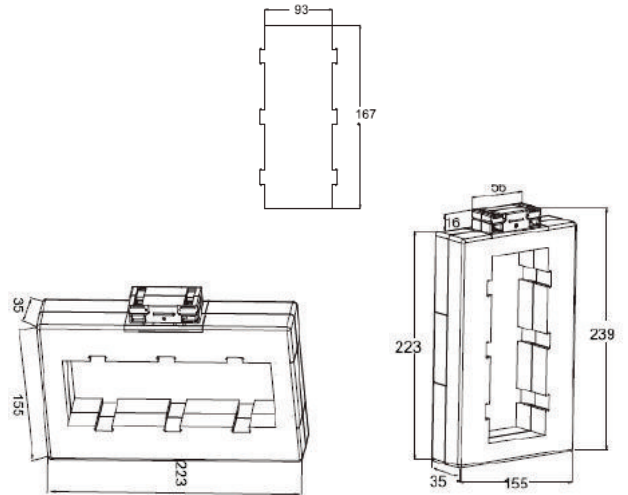
Accessories: mounting feet / Snap on mounting EN 50022-35

CURRENT TRANSFORMERS

AST1659 - Protective current transformers



Dimensions:	
AST1659	223 x 171 x 35 mm
AST1659V	155 x 239 x 35 mm
Primary bar:	165 x 90 mm



AST1659/AST1659V Technical Features, Executions

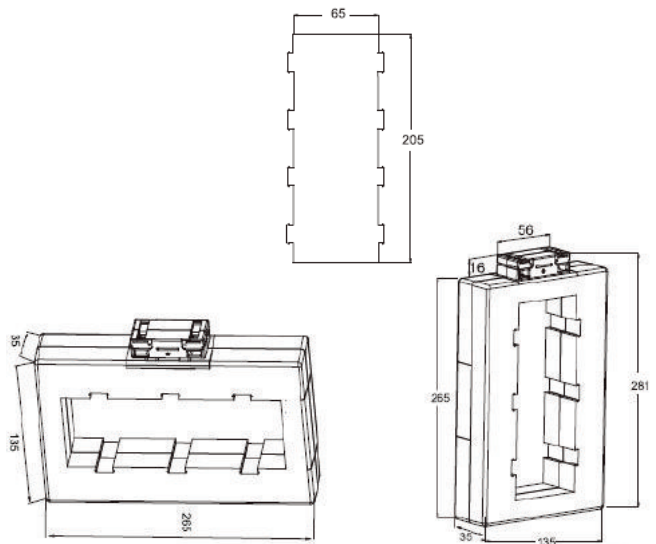
Primary rated current A	Rated burdens VA (sec. .../5A)			
	Class 5P10	Class 10P10	Class 5P20	Class 10P20
2000	15	15	3.75	3.75
2500	20	20	5	5
3000	20	20	5	5
3200	20	20	5	5
3500	20	20	5	5
4000	30	30	7.5	7.5
5000	30	30	7.5	7.5
6000	45	45	10	10

Included: Primary busbar
 Accesories: mounting feet / Snap on mounting EN 50022-35

AST2065 - Protective current transformers



Dimensions:	
AST2065	265 x 151 x 35 mm
AST2065V	135 x 281 x 35 mm
Primary bar:	205 x 65 mm



AST2065/AST2065V Technical Features, Executions

Primary rated current A	Rated burdens VA (sec. .../5A)			
	Class 5P10	Class 10P10	Class 5P20	Class 10P20
3000	20	20	5	5
3200	20	20	5	5
3500	20	20	5	5
4000	30	30	7.5	7.5
5000	30	30	7.5	7.5
6000	45	45	10	10

Included: Primary busbar
 Accesories: mounting feet / Snap on mounting EN 50022-35