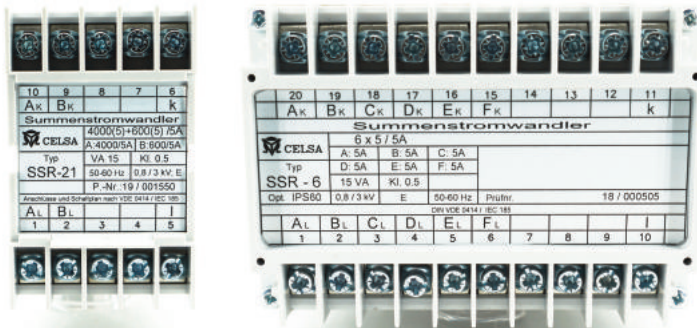


# CURRENT TRANSFORMERS

## Summation current transformers

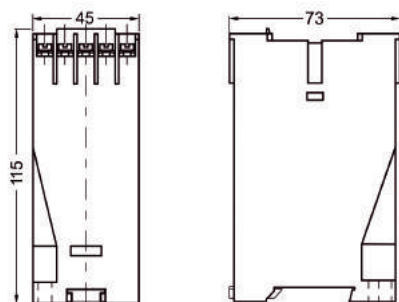
### SSR



The summation current transformers SSR-2 to SSR-9 sums up the instantaneous values of different currents in a network, providing a proportional alternating current. In order to that, several measuring transformers (main transformers) are used, one for each current, with their secondary windings connected to the primary windings of the summation transformer. All the primary windings of the summation current transformer must be connected to the same phase. If any of the primary windings of the SSR are not to be used, they must be left open. The standard execution is prepared for main transformers of the same transformation ratio. Otherwise, please indicate their ratios in your order.

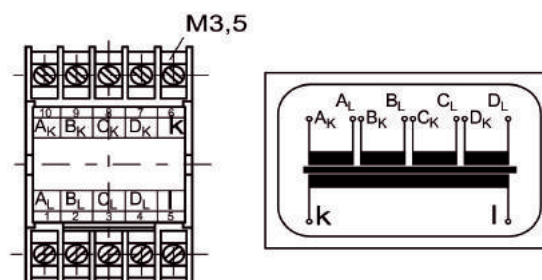
### Dimensions

Housing D10 (SSR-2 to SSR-4)

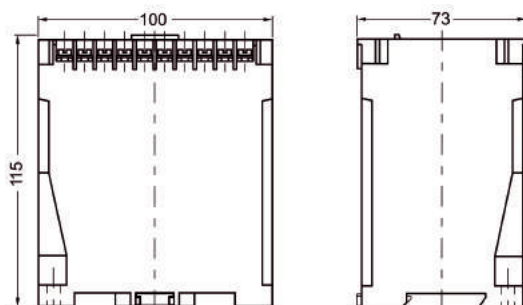


### Connections

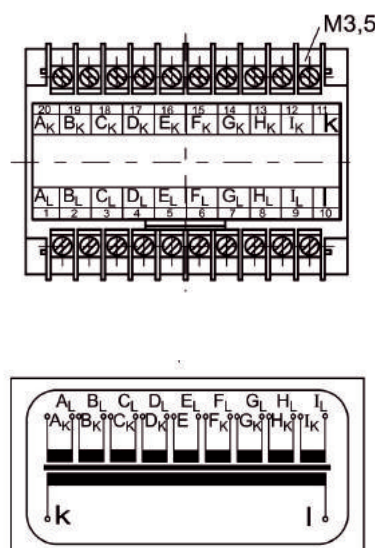
Housing D10 (SSR-2 to SSR-4)



Housing D20 (SSR-5 to SSR-9)



Housing D20 (SSR-5 to SSR-9)



# CURRENT TRANSFORMERS

## SSR Technical Features

Electrical Features	
Highest voltage equipment:	720 V
Rated insulation level:	4 kV, 1 min.
Rated short-time thermal current ( $I_{th}$ ):	$60 \times I_N$
Rated dynamic current ( $I_{dyn}$ ):	$2.5 \times I_{th}$
Frequency range:	50 - 60Hz
Internal consumption:	Max. 4 VA
Thermal class of insulation:	E
Accuracy class index and burden	
Class 0,5	15 VA
Class 1	15 VA
Mechanical Features	
Housings	Self-extinguishing polycarbonate UL94 V-0
Protection degree	IP40
Fixing	DIN-rail DIN EN50022 or screw fastening
Connection	Nickel plated secondary terminals with plus minus screws
Protection degree of connection	IP10, with secondary terminal cover = IP20 (option)
Weight	D10 = 400g, D20 = 600g
Highest proportion for different ratios of main c.t.'s	1:10
<b>Housing size</b>	SSR-2 until SSR-4 = D10 SSR-5 until SSR-9 = D20

## SSR Technical Data, Executions

Article identical ratios of main c.t.'s	Rated burden VA sec. 5A / 1A		Article different ratios of main c.t.'s	Rated burden VA sec. 5A / 1A	
	Class 0.5	Class 1		Class 0.5	Class 1
SSR-2	15	15	SSR-21	15	15
SSR-3	15	15	SSR-31	15	15
SSR-4	15	15	SSR-41	15	15
SSR-5	15	15	SSR-51	15	15
SSR-6	15	15	SSR-61	15	15
SSR-7	15	15	SSR-71	15	15
SSR-8	15	15	SSR-81	15	15
SSR-9	15	15	SSR-91	15	15

other values on request

# CURRENT TRANSFORMERS

## SCMU210s



### Current Transformer and transducer in one housing

- from 30 up to 50 A
- Standard analogue output 0 - 20 mA / 0 - 10 V

#### SCMU210s

#### Application

The measured quantity (i.e. primary current) is galvanically insulated (5kV/1 min), rectified (mean value principle) and converted into a proportional and load-independent DC signal current (or voltage). The passive type SCMU210s does not require auxiliary supply.

Snap-on mounting for DIN- rail, mounting brackets for mounting plates and screws for the busbar fixing are included in delivery.

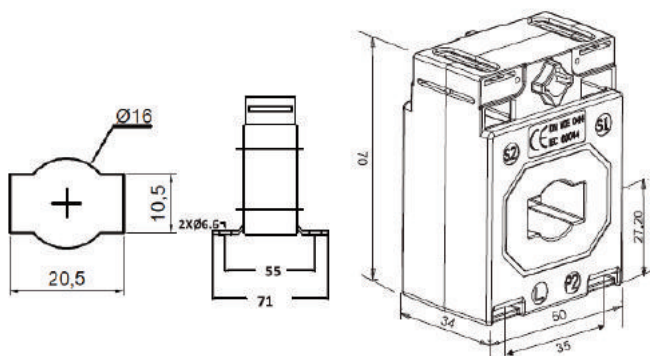
#### Order example:

SCMU210s 30 A, 0-20 mA or SCMU210s 40A, 0-10V

#### SCMU210s - Available metering ranges

Primary current A	Output 0-20mA	Output 0-10V
	without auxiliary supply	
30	●	●
40	●	●
50	●	●

#### Dimensions



# CURRENT TRANSFORMERS

## SCMU



SCMU

### Current Transformer and transducer in one housing

- from 60 up to 600 A
- Standard analogue output 0 - 20 mA / 0 - 10 V

### Application

The measured quantity (i.e. primary current) is galvanically insulated (5kV/1 min), rectified (mean value principle) and converted into a proportional and load-independent DC signal current (or voltage). The passive type SCMU210s does not require auxiliary supply.

Snap-on mounting for DIN- rail, mounting brackets for mounting plates and screws for the busbar fixing are included in delivery.

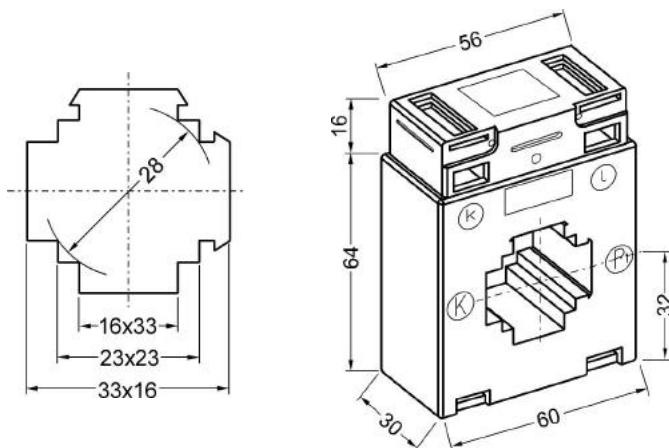
### Order example:

SCMU 60 A, 0-20 mA

### SCMU - Available metering ranges

Primary current A	Output 0-20mA	Output 0-10V
	without auxiliary supply	
60	●	●
75	●	●
100	●	●
150	●	●
200	●	●
250	●	●
300	●	●
400	●	●
500	●	●
600	●	●

### Dimensions



# CURRENT TRANSFORMERS

## SCMU/I



SCMU/I

### Current Transformer and transducer in one housing

- from 10 up to 600 A
- Standard analogue output 4 - 20 mA
- Auxiliary supply: 230 VAC or 24 VDC

### Application

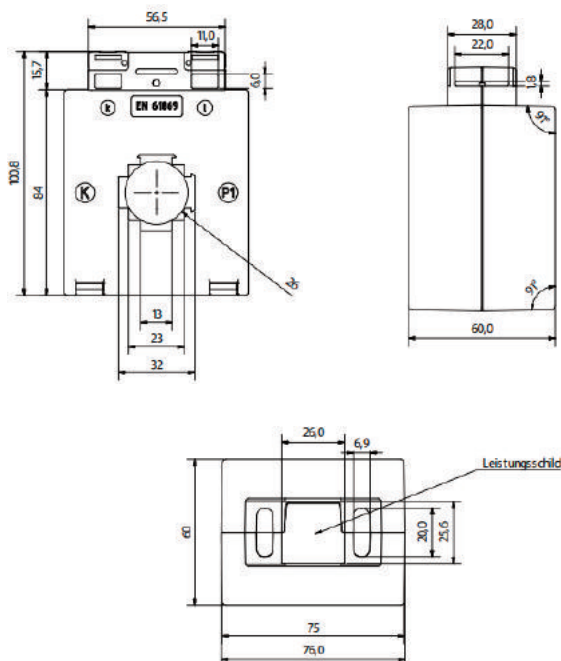
The measured quantity (i.e. primary current) is galvanically insulated (5kV/1 min), rectified (mean value principle) and converted into a proportional and load-independent DC signal current (or voltage). The active SCMU/I connects to a auxiliary supply of 230 VAC or 24 VDC. These information have to indicated on the order.

Snap-on mounting for DIN- rail, mounting brackets for mounting plates and screws for the busbar fixing are included in delivery.

### Order example:

SCMU/I 15 A, 4-20 mA Aux: 230V AC

### Dimensions



### SCMU/I - Available metering ranges

Primary current A	Output 4-20mA	
	Auxiliary supply 230V AC	Auxiliary supply 24V DC
10	●	●
15	●	●
20	●	●
25	●	●
30	●	●
40	●	●
50	●	●
60	●	●
75	●	●
100	●	●
150	●	●
200	●	●
250	●	●
300	●	●
400	●	●
500	●	●
600	●	●