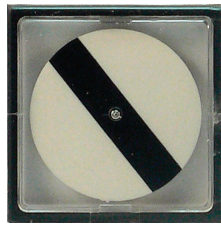


SWITCHES - POSITION INDICATORS

PI / PIR - Position Indicators



- Easy mounting
- Wide band voltage inputs
- Independent working position

Electronic position indicators on request

	DC voltages 24 - 230 V					AC voltages 24 - 230 V				
Type	PI 24	PI 25	PI 36	PI 29	PI 39	PIR24	PIR25	PIR36	PIR29	PIR39
Front frame	□ 24,0	□ 25,0	□ 36,0	∅ 29,0	∅ 39,0	□ 24,0	□ 25,0	□ 36,0	∅ 29,0	∅ 39,0
Housing	∅ 21,8	∅ 21,8	∅ 21,8	∅ 21,8	∅ 21,8	∅ 21,8	∅ 21,8	∅ 21,8	∅ 21,8	∅ 21,8
Installation depth	94	94	94	94	94	94	94	94	94	94
Cut out	∅ 22 ^{+0,5}	∅ 22 ^{+0,5}	∅ 22 ^{+0,5}	∅ 22 ^{+0,5}	∅ 22 ^{+0,5}	∅ 22 ^{+0,5}	∅ 22 ^{+0,5}	∅ 22 ^{+0,5}	∅ 22 ^{+0,5}	∅ 22 ^{+0,5}
Front panel thickness	0... 12	0... 12	0... 12	0... 12	0... 12	0... 12	0... 12	0... 12	0... 12	0... 12
Weight approx.	0,1 kg	0,1 kg	0,15 kg	0,12 kg	0,12 kg	0,1 kg	0,1 kg	0,15 kg	0,12 kg	0,12 kg

Mounting dimension in mm. Options: spacer 121 702 for mimic panels, 24 - 36 mm.

Electrical features

Position indicators for AC and DC voltages between 24 - 90 V and 91 - 230 V available.

PI PIR	Connect to DC voltages Connect to AC voltages
Consumption	0,4 W at 110 V 1,4 W at 230 V
Test voltage	3,7 kV

Norms

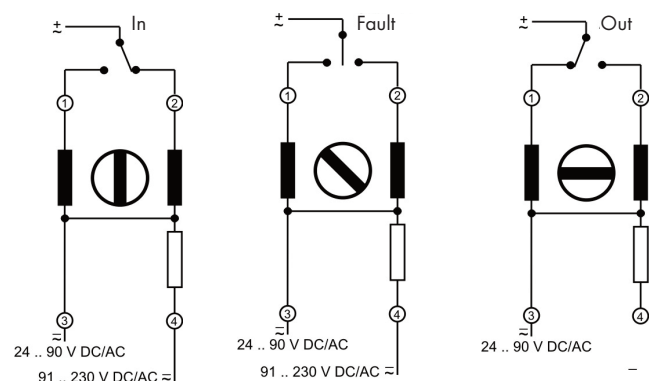
Our position indicators are manufacture according the following standards:
IEC51, EN50081-1, EN50082-1, EN50081-2, EN50082-2, IEC 473

Persons safety	EN 61010-1 Category III, table D12, double insulation
Voltage range	max. 300 V

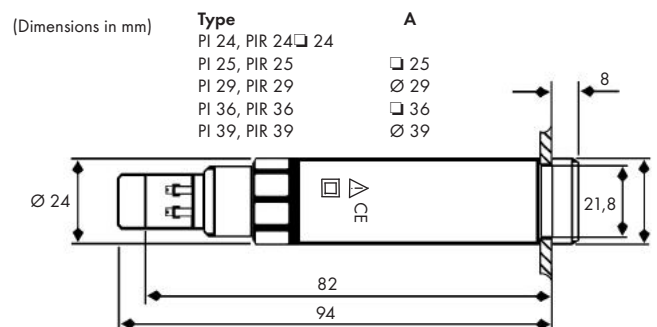
Mechanical Features

Design	Round plastic case with round or square front frame for panel mounting (PI/PIR 25/29/36) or mimic panels (PI/PIR 24)
Housing material	Polycarbonat UL 94 VO
Front frame	Plastic
Front frame color	Black
Working position	Independent
Mounting	Connecting nut
Connecting clamps	Screw clamps till 1,5 mm ² with terminal cover
Protection	IP54

Connecting diagrams:



Dimensions:



Cut out

