

SWITCHES - POSITION INDICATORS

TP Serie - Volt- and ammeter switches



- Mounting by 4 screws
- For front panel mounting

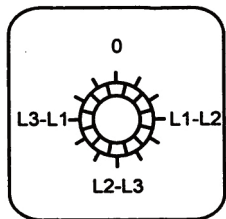
Application

Mounting by 4-hole screw-fixing, degree of protection IP65, rated current $I_n = 16A$, rated voltage 690V, frontplate labelled, handle in black color. Switches are completely wired and labelled. Clamps are protected against direct contact according to VDE 0106, chapter 100 and VBG 4 respectively.

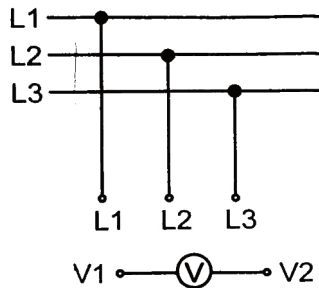
VOLTMETER

Voltmeter switch with "0" position, 3 phase to phase voltages

TP-701



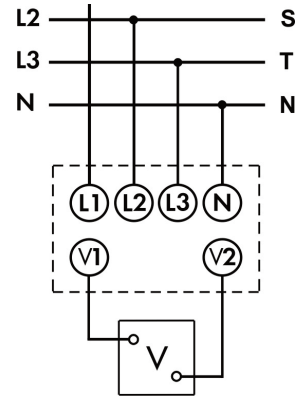
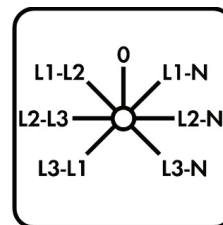
90 Degree



VOLTMETER

Voltmeter switch with "0" position, 3 phase to phase voltages and 3 phases against neutral

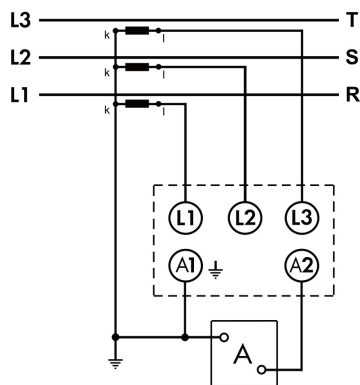
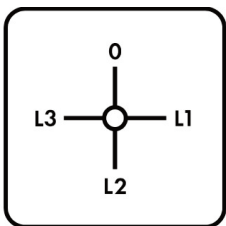
TP-705



AMMETER

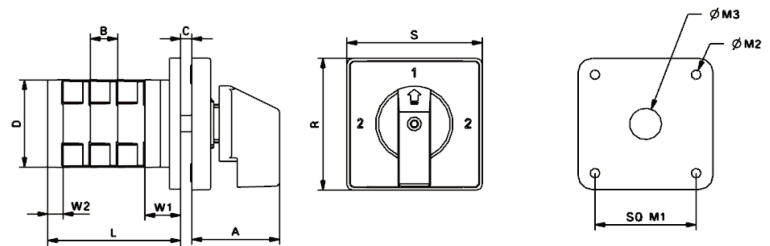
Ammeter switch with "0" position, 1 pole, 3 current transformers

TP-731



Dimensions in mm

Type	A	B	Cmax	D	M1	M2	M3	R	S	W1	W2
TP-705	29	9.5	4	43	36	4	7	60	48	19	5



Length (L) = No. of Stages of Prog x B + W1 + W2

Drilling Plane

Dimensions in mm

Type	A	C	D	F	L	A+L+C	B1	B2	B3
TP-701	28	5	45	48	46	79	36	12	45
TP-731	28	5	45	48	58	91	36	12	45

