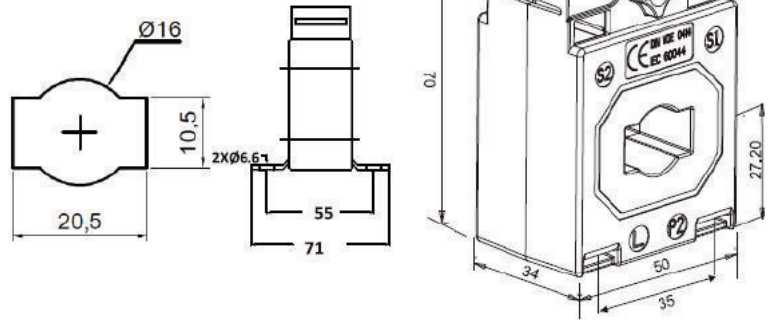


# CURRENT TRANSFORMERS

## AST210s - WINDOW CURRENT TRANSFORMER



Dimensions: 50 x 70 x 34 mm

Round conductor:  $\varnothing$  16 mm

Primary bar: 20 x 10 mm

### AST210s Technical Features, Executions

Primary rated current A	sec. 5 A / Rated burdens VA	
	Class 0.5	Class 1
50	-	1.5
60	-	1.25
75	1.5	1.5
80	3.75	3.75
100	3.75	5
125	3.75	5
150	3.75	7.5
200	5	7.5
250	5	7.5
300	5	10

#### Accessories (please indicate in the order):

- Mounting feet (2 pieces)

or

- primary fixing device

#### Special executions (On request):

- Other ranges, classes or rated burden VA.

#### General Mechanical Feature

- unbreakable plastic casing, polyamide
- difficult to inflame, according to UL 94 V0 and selfextinguishing
- nickel-plated secondary terminals with plus minus screws (2 Nm)
- integrated secondary terminal caps

#### General Electrical Features

- rated frequency 50-60Hz (other frequencies on request)
- class of insulation E (other classes on request)
- rated short-time thermal current  $I_{th} = 60 \cdot I_N$
- nominal surge current  $I_{dyn} = 2.5 \cdot I_{th}$
- highest voltage for equipment  $U_m = 0,72kV$  (other voltages on request)
- rated power-frequency withstand voltage 3kV/1min
- instrument security factor FS5 or FS10