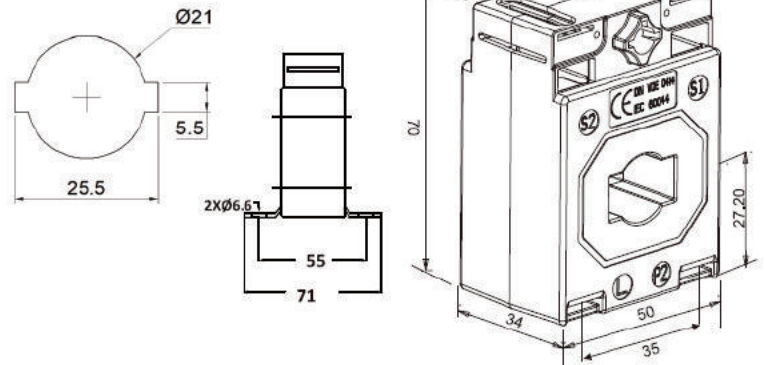


# CURRENT TRANSFORMERS

## AST255s - WINDOW CURRENT TRANSFORMER



Dimensions:	50 x 70 x 34 mm
Round conductor:	Ø 21 mm
Primary bar:	25 x 5 mm

### AST255s Technical Features, Executions

Primary rated current A	sec. 5 A / Rated burdens VA	
	Class 0.5	Class 1
50	-	1.25
60	-	1.25
75	-	1.5
80	-	3.75
100	3.75	5
125	3.75	5
150	3.75	7.5
200	5	7.5
250	5	10
300	5	10

#### Accesories (included in the delivery):

- Mounting feet (2 pieces)

#### Special executions (On request):

- Other ranges, classes or rated burden VA.

#### General Mechanical Feature

- unbreakable plastic casing, polyamide
- difficult to inflame, according to UL 94 V0 and selfextinguishing
- nickel-plated secondary terminals with plus minus screws (2 Nm)
- integrated secondary terminal caps

#### General Electrical Features

- rated frequency 50-60Hz (other frequencies on request)
- class of insulation E (other classes on request)
- rated short-time thermal current  $I_{th} = 60 \cdot I_N$
- nominal surge current  $I_{dyn} = 2.5 \cdot I_{th}$
- highest voltage for equipment  $U_m = 0,72kV$  (other voltages on request)
- rated power-frequency withstand voltage 3kV/1min
- instrument security factor FS5 or FS10