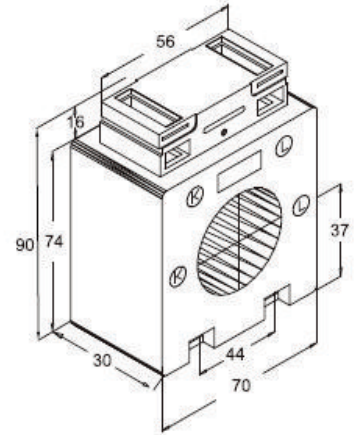
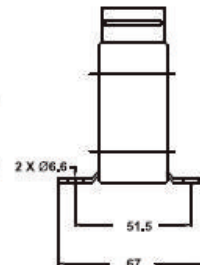
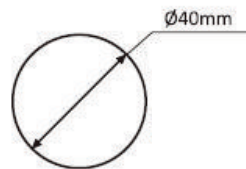


CURRENT TRANSFORMERS

AST4R40 - WINDOW CURRENT TRANSFORMER



Dimensions: 70 x 90 x 30 mm

Round conductor: Ø 40 mm

AST4R40 Technical Features, Executions

Primary rated current A	sec. 5 A / Rated burdens VA		sec. 1 A / Rated burdens VA	
	Class 0.5	Class 1	Class 0.5	Class 1
150	-	1.5	-	1.5
200	1.5	5	1.5	5
250	2.5	7.5	2.5	7.5
300	5	7.5	5	10
400	10	10	10	10
500	10	10	10	10
600	-	10	-	10
750	-	10	-	-
800	-	10	-	-
1000	-	10	-	-

Accessories:

- Mounting feet (2 pieces)

Special executions (On request):

- Other ranges, classes or rated burden VA.

General Mechanical Feature

- unbreakable plastic casing, polyamide
- difficult to inflame, according to UL 94 V0 and selfextinguishing
- nickel-plated secondary terminals with plus minus screws (2 Nm)
- integrated secondary terminal caps

General Electrical Features

- rated frequency 50-60Hz (other frequencies on request)
- class of insulation E (other classes on request)
- rated short-time thermal current $I_{th} = 60 \cdot I_N$
- nominal surge current $I_{dyn} = 2.5 \cdot I_{th}$
- highest voltage for equipment $U_m = 0,72kV$ (other voltages on request)
- rated power-frequency withstand voltage 3kV/1min
- instrument security factor FS5 or FS10