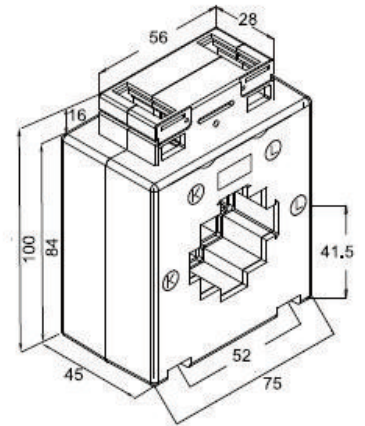
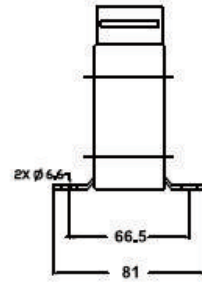
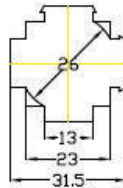


# CURRENT TRANSFORMERS

## AST5B312 - WINDOW CURRENT TRANSFORMER



Dimensions:	75 x 100 x 45 mm
Round conductor:	Ø 26 mm
Primary bar:	30 x 10 mm



### AST5B312 Technical Features, Executions

Primary rated current A	sec. 5 A / Rated burdens VA		sec. 1 A / Rated burdens VA	
	Class 0.5	Class 1	Class 0.5	Class 1
50	-	1.25	-	-
60	-	1.5	-	-
75	-	2.5	-	-
80	-	5	-	-
100	3.75	7.5	3.75	3.75
125	5	10	5	5
150	7.5	15	7.5	10
200	10	15	10	10
250	5	15	5	15
300	10	15	10	10
400	10	15	10	10
500	10	15	10	10
600	10	15	10	10

#### Accessories (please indicate in the order):

- Mounting feet (2 pieces)
- or
- primary fixing device

#### Special executions (On request):

- Other ranges, classes or rated burden VA.

#### General Mechanical Feature

- unbreakable plastic casing, polyamide
- difficult to inflame, according to UL 94 V0 and selfextinguishing
- nickel-plated secondary terminals with plus minus screws (2 Nm)
- integrated secondary terminal caps

#### General Electrical Features

- rated frequency 50-60Hz (other frequencies on request)
- class of insulation E (other classes on request)
- rated short-time thermal current  $I_{th} = 60 \cdot I_N$
- nominal surge current  $I_{dyn} = 2.5 \cdot I_{th}$
- highest voltage for equipment  $U_m = 0,72kV$  (other voltages on request)
- rated power-frequency withstand voltage 3kV/1min
- instrument security factor FS5 or FS10