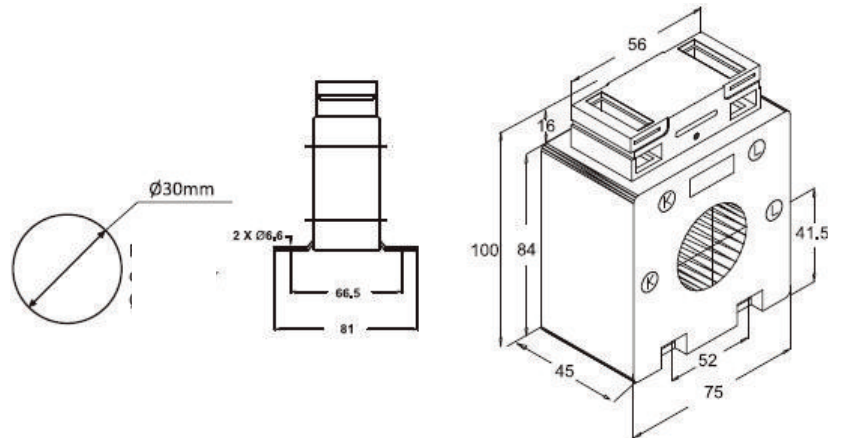


CURRENT TRANSFORMERS

AST5R30 - WINDOW CURRENT TRANSFORMER



Dimensions: 75 x 100 x 45 mm

Round conductor: Ø 30 mm

AST5R30 Technical Features, Executions

Primary rated current A	sec. 5 A / Rated burdens VA		sec. 1 A / Rated burdens VA	
	Class 0.5	Class 1	Class 0.5	Class 1
50	-	1	-	-
60	-	1.25	-	-
75	-	2.5	-	-
80	-	2.5	-	-
100	-	7.5	-	5
125	3.75	10	3.75	5
150	5	15	5	7.5
200	7.5	15	10	10
250	10	15	10	15
300	10	15	10	15
400	10	15	10	15
500	10	15	10	-
600	10	15	10	-

Accessories:

- Mounting feet (2 pieces)

Special executions (On request):

- Other ranges, classes or rated burden VA.

General Mechanical Feature

- unbreakable plastic casing, polyamide
- difficult to inflame, according to UL 94 V0 and selfextinguishing
- nickel-plated secondary terminals with plus minus screws (2 Nm)
- integrated secondary terminal caps

General Electrical Features

- rated frequency 50-60Hz (other frequencies on request)
- class of insulation E (other classes on request)
- rated short-time thermal current $I_{th} = 60 \cdot I_N$
- nominal surge current $I_{dyn} = 2.5 \cdot I_{th}$
- highest voltage for equipment $U_m = 0,72kV$ (other voltages on request)
- rated power-frequency withstand voltage 3kV/1min
- instrument security factor FS5 or FS10