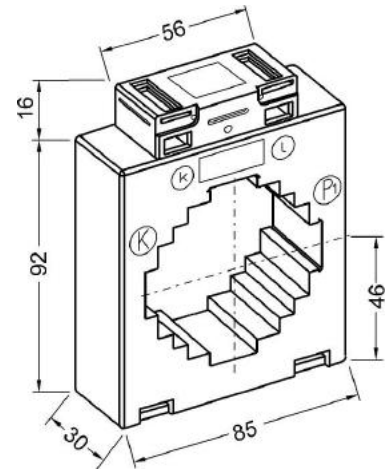
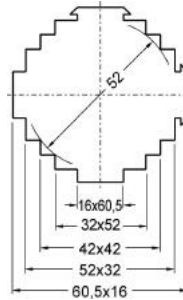


CURRENT TRANSFORMERS

AST615.5 - WINDOW CURRENT TRANSFORMER



Dimensions:	84 x 108 x 30 mm
Round conductor:	Ø 52 mm
Primary bar:	60 x 15 mm 2 x 50 x 10 mm 40 x 40 mm



AST615.5 Technical Features, Executions

Primary rated current A	sec. 5 A / Rated burdens VA		sec. 1 A / Rated burdens VA	
	Class 0.5	Class 1	Class 0.5	Class 1
200	1.25	3.75		
250	2.5	5		
300	3.75	5	3.75	5
400	5	7.5	5	7.5
500	10	10	10	10
600	10	10	10	10
750	15	15	15	15
800	15	15	15	15
1000	15	15	15	15
1250	20	20	15	15
1500	20	25	-	-
1600	25	30	-	-

Accessories (please indicate in the order):

- Mounting feet (2 pieces)
- or
- primary fixing device

Special executions (On request):

- Other ranges, classes or rated burden VA.

General Mechanical Feature

- unbreakable plastic casing, polyamide
- difficult to inflame, according to UL 94 V0 and selfextinguishing
- nickel-plated secondary terminals with plus minus screws (2 Nm)
- integrated secondary terminal caps

General Electrical Features

- rated frequency 50-60Hz (other frequencies on request)
- class of insulation E (other classes on request)
- rated short-time thermal current $I_{th} = 60 \cdot I_N$
- nominal surge current $I_{dyn} = 2.5 \cdot I_{th}$
- highest voltage for equipment $U_m = 0,72kV$ (other voltages on request)
- rated power-frequency withstand voltage 3kV/1min
- instrument security factor FS5 or FS10