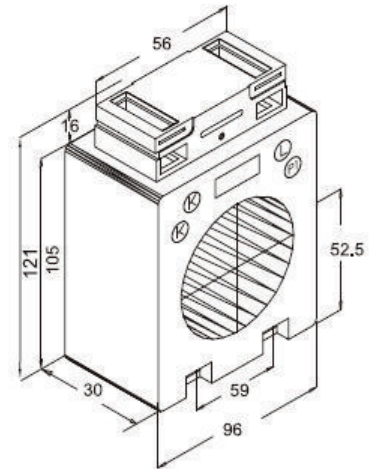
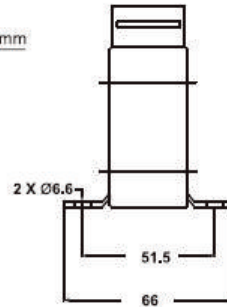
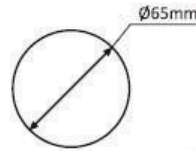


# CURRENT TRANSFORMERS

## AST6R65 - WINDOW CURRENT TRANSFORMER



Dimensions: 96 x 121 x 30 mm

Round conductor: Ø 65 mm

### AST6R65 Technical Features, Executions

| Primary rated current A | sec. 5 A / Rated burdens VA |         | sec. 1 A / Rated burdens VA |         |
|-------------------------|-----------------------------|---------|-----------------------------|---------|
|                         | Class 0.5                   | Class 1 | Class 0.5                   | Class 1 |
| 200                     | -                           | 2.5     | -                           | 2.5     |
| 250                     | -                           | 5       | -                           | 5       |
| 300                     | 5                           | 5       | 5                           | 5       |
| 400                     | 5                           | 10      | 5                           | 10      |
| 500                     | 10                          | 15      | 10                          | 15      |
| 600                     | 15                          | 15      | 15                          | 15      |
| 750                     | 15                          | 15      | 15                          | 15      |
| 800                     | 15                          | 15      | 15                          | 15      |
| 1000                    | 15                          | 15      | 15                          | 15      |
| 1250                    | 15                          | 15      | 15                          | 15      |
| 1500                    | 15                          | 15      | 15                          | 15      |
| 1600                    | 15                          | 15      | 15                          | 15      |
| 2000                    | -                           | 15      | -                           | -       |

#### Accessories:

- Mounting feet (2 pieces)

#### Special executions (On request):

- Other ranges, classes or rated burden VA.

#### General Mechanical Feature

- unbreakable plastic casing, polyamide
- difficult to inflame, according to UL 94 V0 and selfextinguishing
- nickel-plated secondary terminals with plus minus screws (2 Nm)
- integrated secondary terminal caps

#### General Electrical Features

- rated frequency 50-60Hz (other frequencies on request)
- class of insulation E (other classes on request)
- rated short-time thermal current  $I_{th} = 60 \cdot I_N$
- nominal surge current  $I_{dyn} = 2.5 \cdot I_{th}$
- highest voltage for equipment  $U_m = 0,72kV$  (other voltages on request)
- rated power-frequency withstand voltage 3kV/1min
- instrument security factor FS5 or FS10