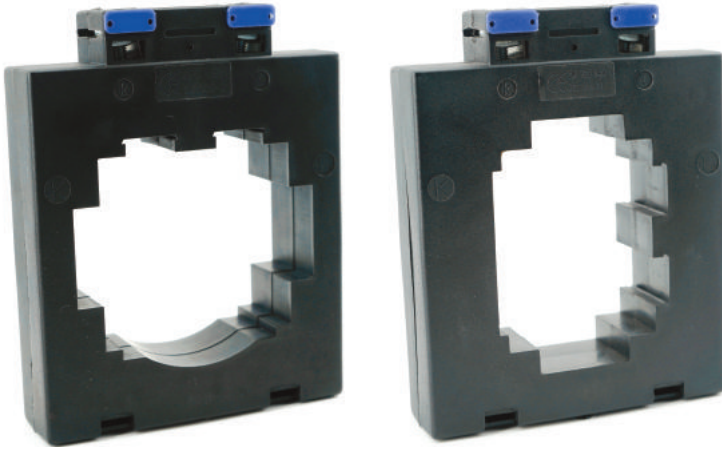
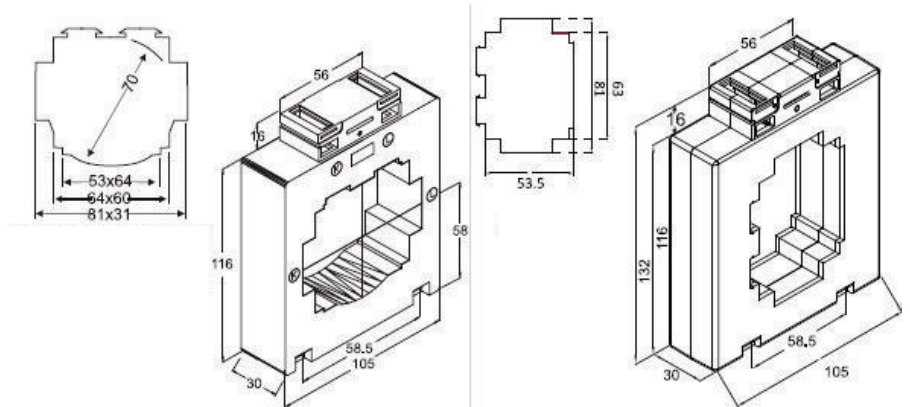


# CURRENT TRANSFORMERS

## AST830 - WINDOW CURRENT TRANSFORMER



Dimensions:	
AST830	105 x 132 x 30 mm
AST830V	105 x 132 x 30 mm
Round conductor:	Ø 70 mm
Primary bar:	2 x 80 x 10 mm
AST830	60 x 60 mm
AST830V	60 x 50 mm



### AST830 / AST830V Technical Features, Executions

Primary rated current A	sec. 5 A / Rated burdens VA		sec. 1 A / Rated burdens VA	
	Class 0.5	Class 1	Class 0.5	Class 1
400	-	3.75	-	3.75
500	-	7.5	-	7.5
600	5	10	5	10
750	5	10	5	10
800	7.5	7.5	7.5	10
1000	15	15	15	-
1250	15	10	15	-
1500	10	10	10	-
1600	15	15	15	-

#### Accessories (please indicate in the order):

- Mounting feet (2 pieces)

or

- primary fixing device

#### Special executions (On request):

- Other ranges, classes or rated burden VA.

#### General Mechanical Feature

- unbreakable plastic casing, polyamide
- difficult to inflame, according to UL 94 V0 and selfextinguishing
- nickel-plated secondary terminals with plus minus screws (2 Nm)
- integrated secondary terminal caps

#### General Electrical Features

- rated frequency 50-60Hz (other frequencies on request)
- class of insulation E (other classes on request)
- rated short-time thermal current  $I_{th} = 60 \cdot I_N$
- nominal surge current  $I_{dyn} = 2.5 \cdot I_{th}$
- highest voltage for equipment  $U_m = 0,72kV$  (other voltages on request)
- rated power-frequency withstand voltage 3kV/1min
- instrument security factor FS5 or FS10