

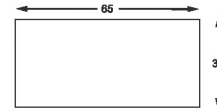
CURRENT TRANSFORMERS

AST Line - Protective Current transformers

ASTP635H Protective current transformers



Dimensions: 115 x 131 x 65 mm
 Primary bar: 60 x 30 mm

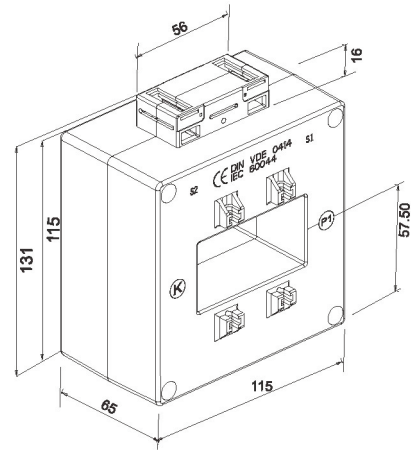


ASTP635H Technical Features, Executions

Primary rated current A	Rated burdens VA (sec. .../5A)		
	Class 5P10	Class 5P20	Class 10P20
300	5	-	5
400	10	5	5
500	10	5	5
600	10	5	5
630	10	5	5
700	10	5	5
750	10	5	5
800	10	5	10
1000	15	5	10
1200	15	10	10
1250	15	10	10
1500	15	10	10
1600	15	10	10
2000	15	-	10

Included: Primary busbar

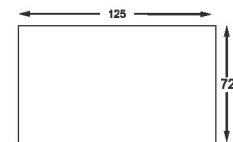
Accessories: mounting feet / Snap on mounting EN 50022-35



ASTP1257H Protective current transformers



Dimensions: 170 x 156 x 55 mm
 Primary bar 120 x 70 mm



ASTP1257H Technical Features, Executions

Primary rated current A	Rated burdens VA (sec. .../5A)			
	Class 5P10	Class 10P10	Class 5P20	Class 10P20
800	15	10	-	5
1000	15	10	-	5
1200	15	10	5	10
1250	15	10	5	10
1500	15	10	5	10
1600	15	10	5	10
2000	15	10	-	10
2500	15	10	-	10
3000	15	10	-	10
3200	15	10	-	10
3500	15	10	-	-
4000	15	10	-	-

Included: Primary busbar

Accessories: mounting feet / Snap on mounting EN 50022-35

