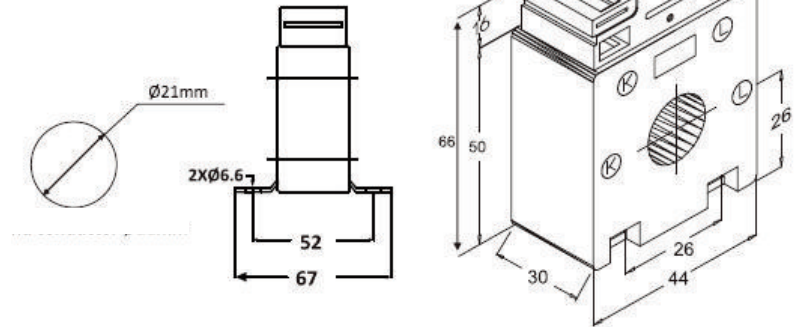


CURRENT TRANSFORMERS

ASTR21 - WINDOW CURRENT TRANSFORMER



Dimensions: 44 x 66 x 30 mm

Round conductor: \varnothing 21 mm

ASTR21 Technical Features, Executions

Primary rated current A	sec. 5 A / Rated burdens VA		sec. 1 A / Rated burdens VA	
	Class 0.5	Class 1	Class 0.5	Class 1
50	-	1.25*	-	1.25*
60	-	1.25	-	1.25
75	-	1.25	-	2.5
80	-	2.5	-	2.5
100	1.5	2.5	1.5	5
125	2.5	3.75	2.5	5
150	3.75	5	3.75	-
200	5	5	5	-
250	5	7.5	5	-
300	5	10	5	-
400	3.75	7.5	-	-
500	3.75	7.5	-	-

* only for ammeters

Accessories:

- Mounting feet (2 pieces)

Special executions (On request):

- Other ranges, classes or rated burden VA.

General Mechanical Feature

- unbreakable plastic casing, polyamide
- difficult to inflame, according to UL 94 V0 and selfextinguishing
- nickel-plated secondary terminals with plus minus screws (2 Nm)
- integrated secondary terminal caps

General Electrical Features

- rated frequency 50-60Hz (other frequencies on request)
- class of insulation E (other classes on request)
- rated short-time thermal current $I_{th} = 60 \cdot I_N$
- nominal surge current $I_{dyn} = 2.5 \cdot I_{th}$
- highest voltage for equipment $U_m = 0,72kV$ (other voltages on request)
- rated power-frequency withstand voltage 3kV/1min
- instrument security factor FS5 or FS10