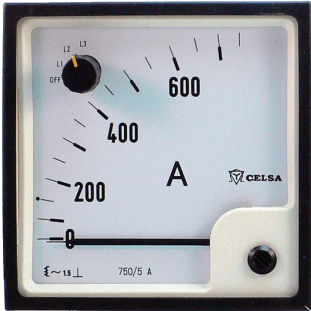


ANALOGUE MEASURING INSTRUMENTS

EQ..n SWT - Moving iron voltinstruments with integrated ammeter switch



- Class 1.5

Description

They are an ammeter for measuring the current in each phase of a 50-60 Hz three-phase line. Three-phase voltmeters are used for measuring the voltages between phases, or phase-phase and phase-neutral in a line. They incorporate a switch in order to select the wires between which the measurement is desired. The EQ..n SWT also has a position of disconnection in the switch (OFF). They indicate the rms value of the voltage, even with high harmonics, with a minor influence on the accuracy.

Please indicate on order if instruments are connected directly (max. 10 A), or to a current transformer. In this case, please indicate ratio of current transformer).

Electrical data

Overload capacity according to DIN 43780

Continuously 1,2 times rated value

Short duration 2 x UN 5 s voltmeters

The setting time is approximately 1 minute.

Consumption

1VA per phase

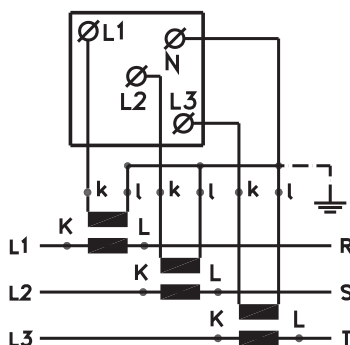
Moving iron

Moving coil with rectifier system in the ammeter, self-shielding movement, with core magnet. They use hairsprings for the creation of the restoring torque, and pivot suspension with spring-loaded jewel bearings for vibration and shock resistance

Scales

90° scale with coarse-fine division. Scales are practically linear.

Connection diagram switchable ammeter



Technical Features

| Type | EQ72n SWT | EQ96n SWT | | |
|--------------------------------|--|--------------------|----------------------------------|----------------------------------|
| Front frame (mm) | 72 x 72 | 96 x 96 | | |
| Scale length (mm) | 91 | 97 | | |
| Weight (g) | 190 | 230 | | |
| Panel cut-out (mm) | 66 ^{+0,7} | 92 ^{+0,8} | | |
| Installation depth (mm) | 55 | 55 | | |
| Switch settings | Measuring range | | | |
| 4 positions L1, L2, L3, OFF | mA= | 400 | <input type="radio"/> | <input type="radio"/> |
| | | 600 | <input type="radio"/> | <input type="radio"/> |
| | A= | 1 | <input type="radio"/> | <input type="radio"/> |
| | | 1,5 | <input type="radio"/> | <input type="radio"/> |
| | | 2,5 | <input type="radio"/> | <input type="radio"/> |
| | | 4 | <input type="radio"/> | <input type="radio"/> |
| | | 6 | <input type="radio"/> | <input type="radio"/> |
| | For connection at .../5 the current .../1 | | <input checked="" type="radio"/> | <input checked="" type="radio"/> |
| | Terminal cover according to VGB 4 included | | <input checked="" type="radio"/> | <input checked="" type="radio"/> |

● available ○ on request

Dimensions in mm / Weight in gramme

| Modelo | a | b | c | d | e | f | g | h | Ø | weight |
|-----------|----|---|----|----|--------------------|---|----|---|----|--------|
| EQ72n SWT | 72 | - | 53 | 68 | 68 ^{+0,7} | - | 40 | 5 | M4 | 190 |
| EQ96n SWT | 96 | - | 53 | 68 | 92 ^{+0,8} | - | 40 | 5 | M4 | 230 |

