

ANALOGUE MEASURING INSTRUMENTS

FA...n / FAG...n - Pointer frequency meter



FA



FAG

- Class 0.5
- FA with 90° scale
- FAG with 240° scale

Description

The pointer frequency meters are used to measure frequencies in power supplies in span of rated frequencies. They have better resolution than reed frequency meters. Moving-coil instrument with electronic transducer. Movement with hairsprings for the creation of the resorting torque. Pivot suspension with spring-loaded jewel bearings for vibration and shock resistance.

Admissible change in rating voltage: $\pm 20\%$

External magnet field: 0.5 mT

Scales

90° (FA..n) or 240° (FAG..n) scales, practically linear. Coarse-fine division.

Technical Features

Type		FA 72n	FA 96n	FA 144n	FAG 72n	FAG 96n
Front frame (mm)		72 x 72	96 x 96	144 x 144	72 x 72	96 x 96
Scale length (mm)		63	97	146	106	142
Consumption		< 7VA	< 7VA	< 7VA	< 7VA	< 7VA
Range (Hz)	U(V)					
45 - 55	100	●	●	○	●	○
45 - 55	110	●	●	○	●	○
45 - 55	230	●	●	○	●	○
45 - 55	400	●	●	○	●	○
45 - 55	440	●	●	○	●	○
45 - 55	500	○	○	○	○	○
45 - 65	100	●	●	○	●	○
45 - 65	110	●	●	○	●	○
45 - 65	230	●	●	○	●	○
45 - 65	400	●	●	○	●	○
45 - 65	440	●	●	○	●	○
45 - 65	500	○	○	○	○	○
55 - 65	100	●	●	○	●	○
55 - 65	110	●	●	○	●	○
55 - 65	230	●	●	○	●	○
55 - 65	400	●	●	○	●	○
55 - 65	440	●	●	○	●	○
55 - 65	500	○	○	○	○	○
Terminal covers		●	●	○	●	○

● available ○ on request

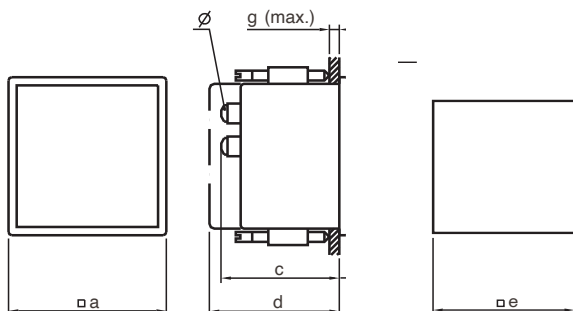
Backside terminal cover for protection according to VBG 4

(Please indicate when ordering.)

On request: dimensions 48 x 48 mm and 144 x 144 mm.

Dimensions in mm / Weight in gramme

Type	a	c	d	e	g	h	Ø	Weight
FA72n	72	55	75	68 ^{+0,7}	8 ¹	4,6	M4	210
FA96n	96	55	75	92 ^{+0,8}	8 ¹	5	M4	280
FA144n	144	53	53	138 ⁺¹	40	5,5	M4	490
FAG72n	72	53	53	68 ^{+0,7}	40	5	M4	210
FAG96n	96	53	53	92 ^{+0,8}	40	5,5	M4	280
FAG144n	144	53	53	138 ⁺¹	40	5,5	M4	490



Connection diagrams

