

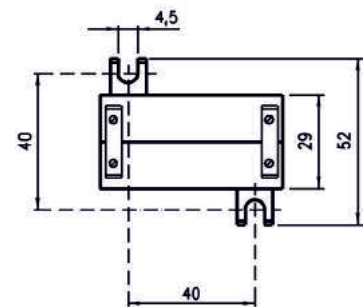
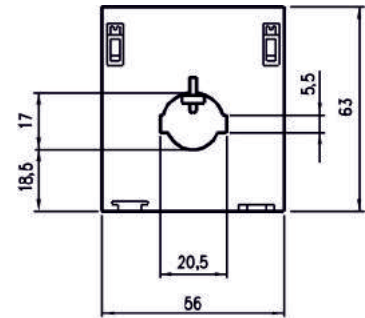
CURRENT TRANSFORMERS

IBA

WINDOW TYPE CURRENT TRANSFORMER



Round conductor:	Ø 16 mm
Primary bar:	20 x 5 mm
Dimensions:	63 x 56 x 29 mm



IBA Technical Features, Executions

Primary rated current A	sec. 5 A or 1 A / Rated burdens VA		
	Class 0,5	Class 1	Class 3
40	-	1,25*	1,25
50	-	1,25*	1,25
60	-	1,25	1,25
75	-	1,25	2,5
100	-	2,5	2,5
125	1,25	3,75	3,75
150	1,25	5	5
200	2,5	5	7,5

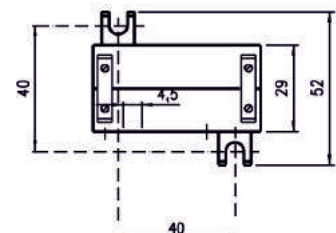
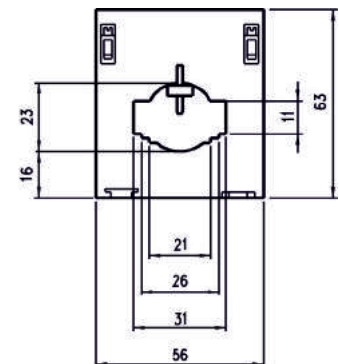
Accessories: mounting feet / Snap on mounting EN 50022-35
*only ammeters

IBP

WINDOW TYPE CURRENT TRANSFORMER



Round conductor:	Ø 22 mm
Primary bar:	30 x 10 mm
Dimensions:	63 x 56 x 29 mm



IBP Technical Features, Executions

Primary rated current A	sec. 5 A or 1 A / Rated burdens VA		
	Class 0,5	Class 1	Class 3
100	-	1,25	2,5
125	-	2,5	2,5
150	-	2,5	2,5
200	-	2,5	3,75
250	1,25	2,5	3,75
300	2,5	2,5	3,75
400	2,5	3,75	5
500	3,75	5	5
600	3,75	5	7,5

Included: Primary busbar
Accessories: mounting feet / Snap on mounting EN 50022-35