

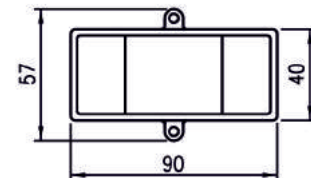
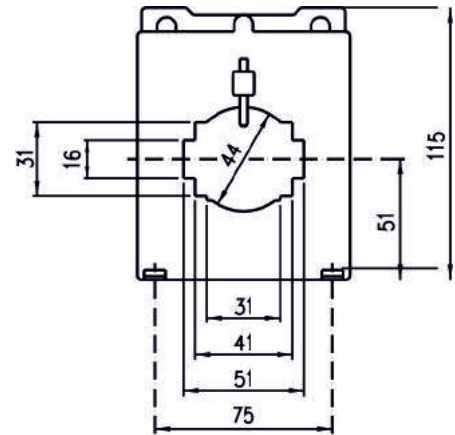
CURRENT TRANSFORMERS

IBR

WINDOW TYPE CURRENT TRANSFORMER



Round conductor:	Ø 44 mm
Primary bar:	50 x 15 mm 2 x 40 x 10 mm
Dimensions:	115 x 90 x 40 mm



IBR Technical Features, Executions

Primary rated current A	sec. 5 A or 1 A/ Rated burdens VA		
	Class 0,5	Class 1	Class 3
400	5	5	10
500	7,5	7,5	10
600	10	10	15
750	10	15	15
800	10	15	20
1000	10	15	20
1200	10	15	20
1500	10	20	20
1600	10	20	30

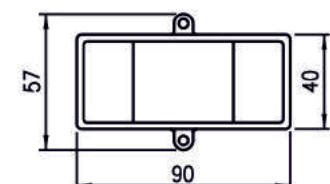
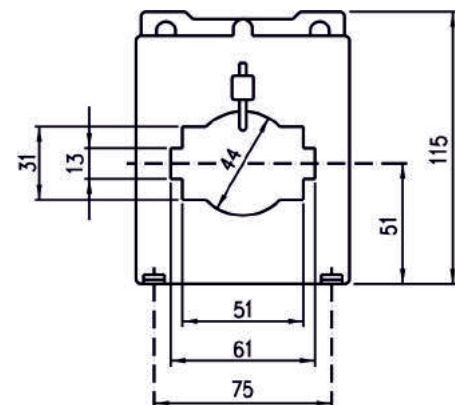
Included: Primary busbar
Accessories: mounting feet

IBR/1

WINDOW TYPE CURRENT TRANSFORMER



Round conductor:	Ø 44 mm
Primary bar:	60 x 12 mm 2 x 50 x 10 mm
Dimensions:	115 x 90 x 40 mm



IBR/1 Technical Features, Executions

Primary rated current A	sec. 5 A or 1 A/ Rated burdens VA		
	Class 0,5	Class 1	Class 3
400	5	5	10
500	7,5	7,5	10
600	10	10	15
750	10	15	15
800	10	15	20
1000	10	15	20
1200	10	15	20
1500	10	20	20
1600	10	20	30

Included: Primary busbar
Accessories: mounting feet