

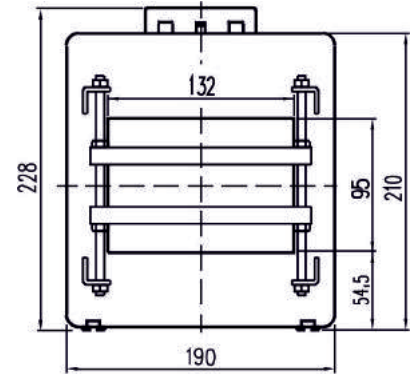
# CURRENT TRANSFORMERS

## ICG

### WINDOW TYPE CURRENT TRANSFORMER



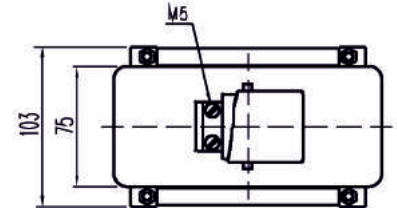
Primary bar	3 x 130 x 20 mm 4 x 130 x 10 mm
Dimensions:	228 x 190 x 103 mm



### ICG Technical Features, Executions

Primary rated current A	sec. 5 A or 1 A/ Rated burdens VA		
	Class 0,5	Class 1	Class 3
3000	60	60	60
4000	60	60	60
5000	60	60	60
6000	60	60	60

Included: Primary busbar  
Accessories: mounting feet



## IBO

### WOUND PRIMARY CURRENT TRANSFORMER



Form A



Form B

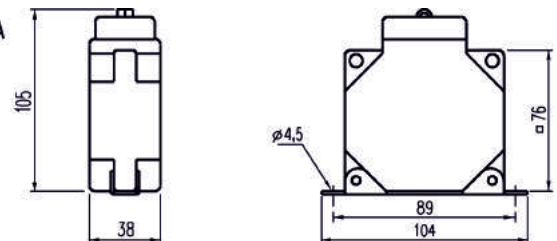
Form	Primary rated current	a	b	c	d	
A	5 A ... 20 A	-	-	-	-	-
B	25 A ... 150 A	38	90	115	3	M8

### IBO Technical Features, Executions

	Primary rated current A	sec. 5 A or 1 A/ Rated burdens VA		
		Class 0,5	Class 1	Class 3
Forma A	5	10	15	20
	10	10	15	20
	15	10	15	20
	20	10	15	20
Forma B	25	10	15	20
	30	10	15	20
	40	10	15	20
	50	10	15	20
	60	10	15	20
	75	10	15	20
	100	10	15	20
	125	10	15	20
	150	10	15	20

Included: mounting feet  
Accessories: Snap on mounting EN 50022-35

#### IBO < 25 A



#### IBO > 25 A

