

CURRENT TRANSFORMERS

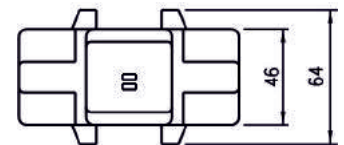
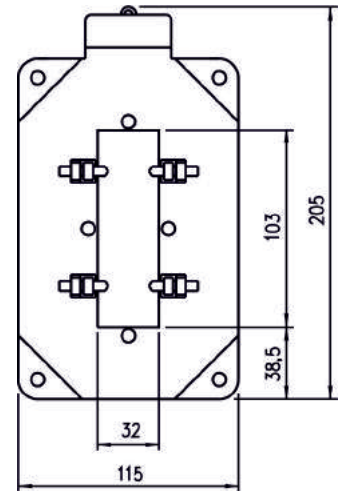
IRM

WINDOW TYPE CURRENT TRANSFORMER



On request: Secondary terminals on the long side of the current transformer

Primary bar	100 x 30 mm
Dimensions:	205 x 115 x 64 mm



IRM Technical Features, Executions

Primary rated current A	sec. 5 A or 1 A/ Rated burdens VA		
	Class 0,5	Class 1	Class 3
1500	20	30	45
1600	20	30	45
2000	30	45	60
2500	45	60	60
3000	45	60	60
4000	60	60	60

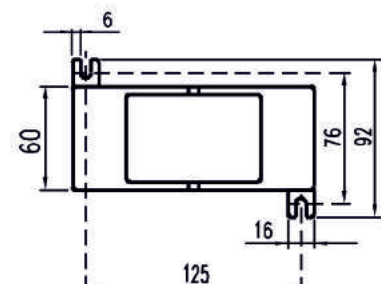
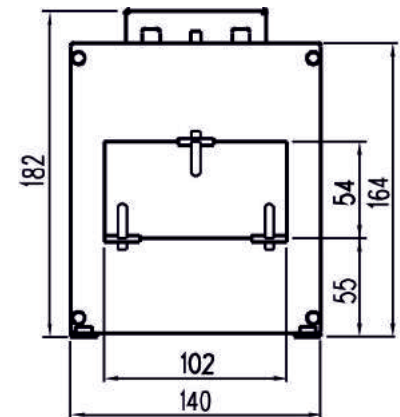
Included: Primary busbar

ICM

WINDOW TYPE CURRENT TRANSFORMER



Primary bar:	3 x 100 x 10 mm 2 x 100 x 20 mm
Dimensions:	182 x 100 x 20 mm



ICM Technical Features, Executions

Primary rated current A	sec. 5 A or 1 A/ Rated burdens VA		
	Class 0,5	Class 1	Class 3
750	15	20	30
800	15	20	30
1000	20	30	45
1200	30	45	60
1500	30	45	60
1600	30	45	60
2000	45	60	60
2500	60	60	60
3000	60	60	60

Included: Primary busbar
Accessories: mounting feet