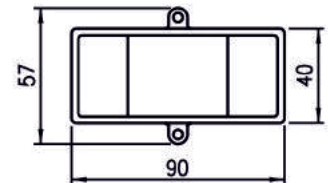
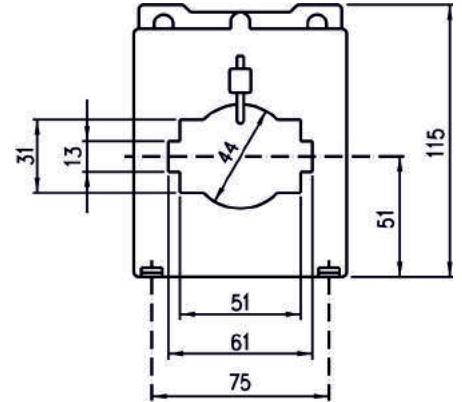


# CURRENT TRANSFORMERS

## IBR/1 Protective current transformers



|                  |                              |
|------------------|------------------------------|
| Round conductor: | Ø 44 mm                      |
| Primary bar:     | 60 x 12 mm<br>2 x 50 x 10 mm |



### IBR/1 Technical Features, Executions

| Primary rated current A | Rated burdens VA (sec. .../5A) |            | Rated burdens VA (sec. .../1A) |            |
|-------------------------|--------------------------------|------------|--------------------------------|------------|
|                         | Class 5P5                      | Class 10P5 | Class 5P5                      | Class 10P5 |
| 400                     | 1,25                           | 1,25       | 1,25                           | 1,25       |
| 500                     | 1,25                           | 1,25       | 2,5                            | 2,5        |
| 600                     | 2,5                            | 2,5        | 2,5                            | 2,5        |
| 750                     | 2,5                            | 2,5        | 3,75                           | 3,75       |
| 800                     | 2,5                            | 2,5        | 3,75                           | 3,75       |
| 1000                    | 2,5                            | 2,5        | 5                              | 5          |
| 1200                    | 1,25                           | 1,25       | 3,75                           | 3,75       |
| 1500                    | 1,25                           | 1,25       | 5                              | 5          |

Included: Primary busbar  
Accessories: Mounting feet

## IER Protective current transformers

IER



IER/2



IER/1



IER/3



|                 |                              |
|-----------------|------------------------------|
| Round conductor |                              |
| IER             | Ø 50 mm                      |
| IER/1           | Ø 80 mm                      |
| Primary bar     |                              |
| IER             | 80 x 10 mm<br>2 x 60 x 10 mm |
| IER/2           | 3 x 60 x 10 mm               |
| IER/3           | 2 x 80 x 10 mm               |

### IER/-1/-2/-3 Technical Features, Executions

| Primary rated current A | Rated burdens VA (sec. .../5A, .../1A) |             |           |            |
|-------------------------|--|-------------|-----------|------------|
|                         | Class 5P10                             | Class 10P10 | Class 5P5 | Class 10P5 |
| 250                     | -                                      | 1,25        | 2,5       | 2,5        |
| 300                     | 1,25                                   | 1,25        | 3,75      | 3,75       |
| 400                     | 1,25                                   | 1,25        | 5         | 5          |
| 500                     | 2,5                                    | 2,5         | 7,5       | 7,5        |
| 600                     | 1,25                                   | 1,25        | 5         | 5          |
| 750                     | 2,5                                    | 2,5         | 7,5       | 7,5        |
| 800                     | 1,25                                   | 1,25        | 7,5       | 7,5        |
| 1000                    | 2,5                                    | 2,5         | 10        | 10         |
| 1200                    | 2,5                                    | 3,75        | 10        | 10         |
| 1500                    | 5                                      | 5           | 15        | 15         |
| 1600                    | 5                                      | 5           | 15        | 15         |
| 2000                    | 5                                      | 5           | 20        | 20         |

Included: Primary busbar (except IER/1)

