

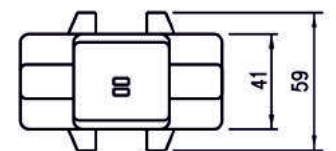
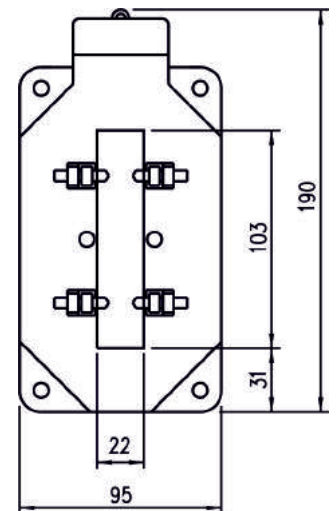
# CURRENT TRANSFORMERS

## IRP Protective current transformers



Primary bar 100 x 20 mm

On request: Secondary terminals on the long side of the current transformer



### IRP Technical Features, Executions

Primary rated current A	Rated burdens VA (sec. .../5A , .../1A)			
	Class 5P10	Class 10P10	Class 5P5	Class 10P5
750	1,25	1,25	7,5	7,5
800	1,25	2,5	7,5	7,5
1000	2,5	2,5	10	10
1200	3,75	3,75	10	10
1500	5	5	15	15
1600	5	5	15	15
2000	5	5	20	20
2500	7,5	7,5	20	20

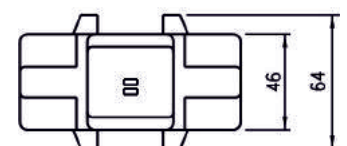
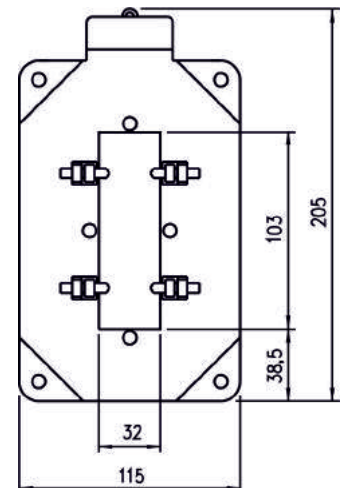
Included: Primary busbar

## IRM Protective current transformers



Primary bar 100 x 20 mm

On request: Secondary terminals on the long side of the current transformer



### IRM Technical Features, Executions

Primary rated current A	Rated burdens VA (sec. .../5A , .../1A)			
	Class 5P10	Class 10P10	Class 5P5	Class 10P5
1500	3,75	3,75	15	15
1600	5	5	15	15
2000	5	7,5	20	20
2500	7,5	7,5	20	30
3000	10	10	30	30
4000	10	10	30	45

Included: Primary busbar