

CURRENT TRANSFORMERS

SCMU/I



SCMU/I

Current Transformer and transducer in one housing

- from 10 up to 600 A
- Standard analogue output 4 - 20 mA
- Auxiliary supply: 230 VAC or 24 VDC

Application

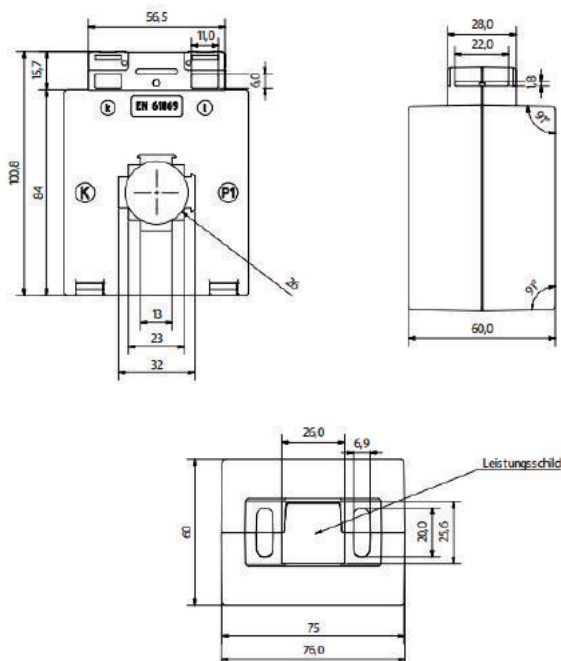
The measured quantity (i.e. primary current) is galvanically insulated (5kV/1 min), rectified (mean value principle) and converted into a proportional and load-independent DC signal current (or voltage). The active SCMU/I connects to a auxiliary supply of 230 VAC or 24 VDC. These information have to indicated on the order.

Snap-on mounting for DIN- rail, mounting brackets for mounting plates and screws for the busbar fixing are included in delivery.

Order example:

SCMU/I 15 A, 4-20 mA Aux: 230V AC

Dimensions



SCMU/I - Available metering ranges

Primary current A	Output 4-20mA	
	Auxiliary supply 230V AC	Auxiliary supply 24V DC
10	●	●
15	●	●
20	●	●
25	●	●
30	●	●
40	●	●
50	●	●
60	●	●
75	●	●
100	●	●
150	●	●
200	●	●
250	●	●
300	●	●
400	●	●
500	●	●
600	●	●