

# CURRENT TRANSFORMERS

## TC - TQ Split core current transformer / sensor



### Application

The very compact TQ/ TC are especially designed for connection to digital measurement systems. All TC /TQ are supplied with colour coded leads secondary leads. Correct closing of the current transformer/sensor is guaranteed by a distinct sound of a "click". Two UV-resistant ty-raps are supplied with the current transformer which can be easily mounted around the primary conductor.

TC / TQ Technical Data	
<b>Environmental conditions</b>	
Location	Indoor use
Operating temperature	TQ18-B: -10°C to +55°C TC18: -5°C to +40°C TQ27: -10°C to +55°C TQ42: -10°C to +55°C TQ84: -10°C to +55°C
Relative humidity	5% - 85%, non condensing
Protection degree	IP20
<b>Application conditions</b>	
Standard	IEC 61869-2
Rated short-time thermal current	60 x I <sub>n</sub> /1s
Continuous thermal current (I <sub>cth</sub> )	100% I <sub>n</sub>
Rated insulation level	0,72/3-kV
Rated frequency	50/60Hz
Class of insulation	E (120°C)
Primary conductor	TQ18-B: max.Ø 18mm TC18: max.Ø 18mm TQ 27: max.Ø 28mm TQ42: max.Ø 42mm TQ84: max. 2x Ø 42mm
Secondary	TQ18-B: 1A: L= 3m cabel 0,5mm <sup>2</sup> flexibel 5A: L= 0,5 m cabel 1,5mm <sup>2</sup> flexibel  TC18: 1A: L= 3m cabel 0,5mm <sup>2</sup> flexibel  TQ27: 1A: L= 3m cabel 0,5mm <sup>2</sup> flexibel 5A: L= 0,5 m cabel 1,5mm <sup>2</sup> flexibel  TQ42/ TQ84: 1A: L= 5m cabel 0,5mm <sup>2</sup> flexibel 5A: L= 3m cabel 1,5mm <sup>2</sup> flexibel

- Very easy mounting is guaranteed
- Fast fixation with two UV-resistant tie wraps
- Also in class 1 available for high accurate kWh measurements
- All TC/TQ.. split core CT's are supplied with colour coded leads

### TC / TQ Technical Features

Type	Primary current A	VA Rated burden <sup>1)</sup>		
		Cl. 0,5 <sup>2)</sup>	Cl.1 <sup>2)</sup>	Cl.3
TQ 18-B	100/1A	-	0,2	-
	125/1A	-	0,2	-
	150/1A	-	0,2	-
	200/1A	0,2	-	-
	250/1A	0,2	-	-
	150/5A	-	1	-
	200/5A	-	1	-
TC 18	60/1A	-	-	0,2
	75/1A	-	-	0,2
	100/1A	-	-	0,2
	125/1A	-	-	0,2
	150/1A	-	-	0,2
	200/1A	-	0,2	-
	250/1A	-	0,2	-
TQ 27	200/1A	-	0,2	-
	250/1A	-	0,2	-
	300/1A	-	0,2	-
	400/1A	-	0,2	-
	500/1A	0,2	-	-
	250/5A	-	1	-
	300/5A	-	1	-
TQ 42	250/1A	-	0,5	-
	300/1A	-	0,5	-
	400/1A	0,5	-	5
	500/1A	0,5	-	-
	600/1A	0,5	-	5
	750/1A	0,5	-	-
	800/1A	0,5	-	5
TQ84	1000/1A <sup>2)</sup>	0,5	-	5
	300/5A	-	0,5	-
	400/5A	-	0,5	5
	500/5A	-	0,5	-
	600/5A	0,5	-	-
	750/5A	0,5	-	-
	800/5A	0,5	-	-
	1000/5A <sup>3)</sup>	0,5	-	5

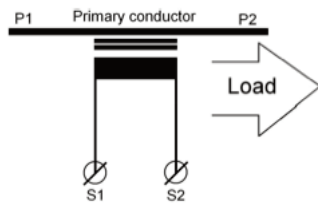
1) Burden specified at the end of the secondary leads / class 3  
2) Accuracy conform IEC 61869-2, valid from 5- to 20% I<sub>n</sub>  
3) Ambient temperature -10°C ... +40°C

# CURRENT TRANSFORMERS

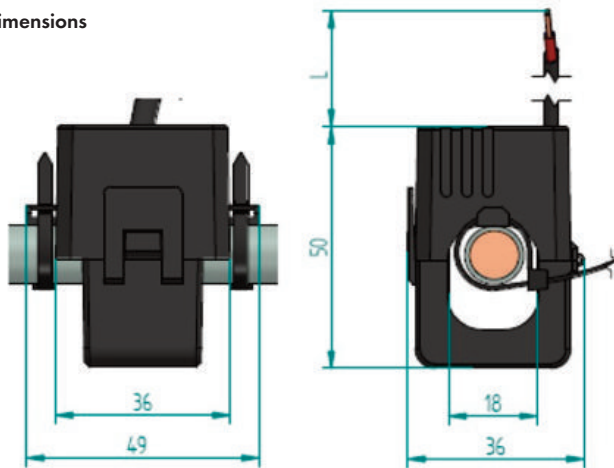
## Dimensions / Wiring diagrams

TC18

Wiring diagrams

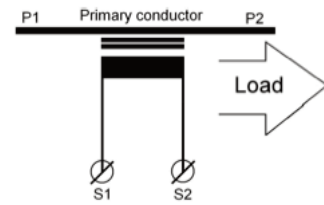


Dimensions

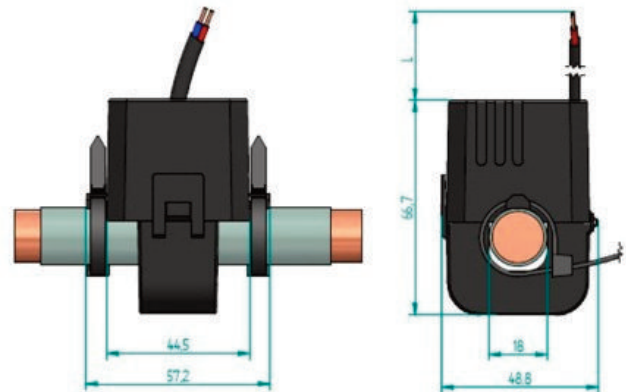


TQ18-B

Wiring diagrams

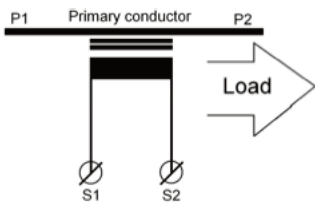


Dimensions

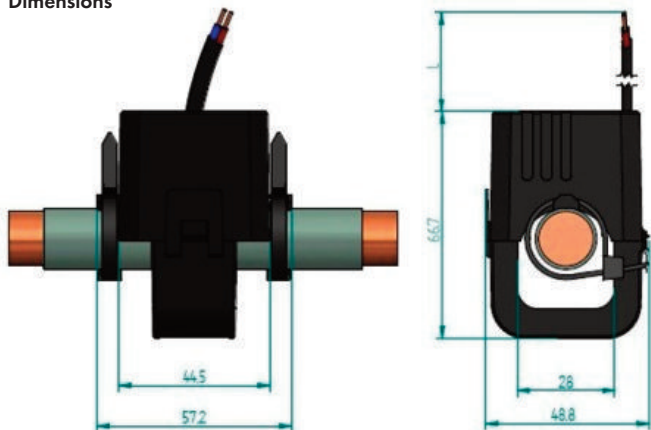


TQ 27

Wiring diagrams

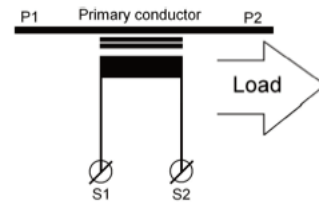


Dimensions



TQ 42 / TQ 84

Wiring diagrams



Dimensions

