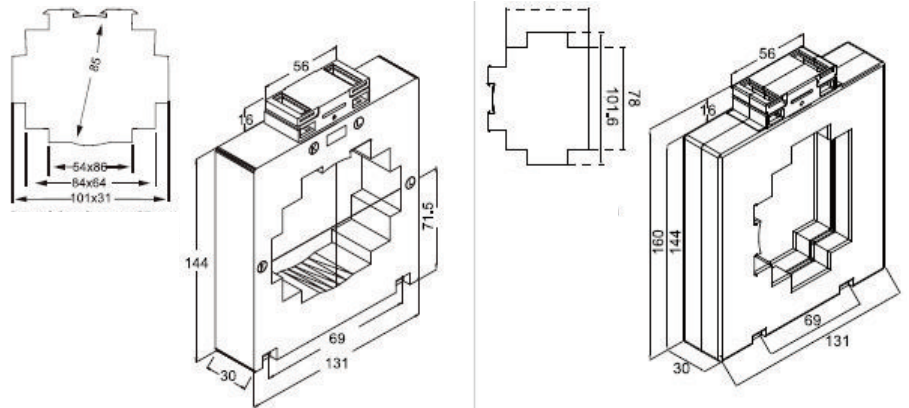


CURRENT TRANSFORMERS

AST1030 - WINDOW CURRENT TRANSFORMER



Dimensions:	131 x 160 x 30 mm
Round conductor:	Ø 85 mm
Primary bar:	2 x 100 x 10 mm
AST1030H	80 x 64 mm
AST1030V	75 x 60 mm



AST1030H / AST1030V Technical Features, Executions

Primary rated current A	sec. 5 A / Rated burdens VA			sec. 1 A / Rated burdens VA	
	Class 0.2s	Class 0.5	Class 1	Class 0.5	Class 1
600		-	10	-	7.5
750		5	10	5	10
800		7.5	10	7.5	10
1000		10	15	10	10
1250		15	15	15	10
1500		15	15	15	10
1600		15	15	15	15
2000		15	15	15	15
2500		15	30	20	15
3000		15	15	20	20
3200		15	15	15	15

Accessories (included):

- Mounting feet (2 pieces)
- Primary fixing device

Special executions (On request):

- Other ranges, classes or rated burden VA.

General Mechanical Feature

- unbreakable plastic casing, polyamide
- difficult to inflame, according to UL 94 V0 and selfextinguishing
- nickel-plated secondary terminals with plus minus screws (2 Nm)
- integrated secondary terminal caps

General Electrical Features

- rated frequency 50-60Hz (other frequencies on request)
- class of insulation E (other classes on request)
- rated short-time thermal current $I_{th} = 60 \cdot I_N$
- nominal surge current $I_{dyn} = 2.5 \cdot I_{th}$.
- highest voltage for equipment $U_m = 0,72kV$ (other voltages on request)
- rated power-frequency withstand voltage 3kV/1min
- instrument security factor FS5 or FS10