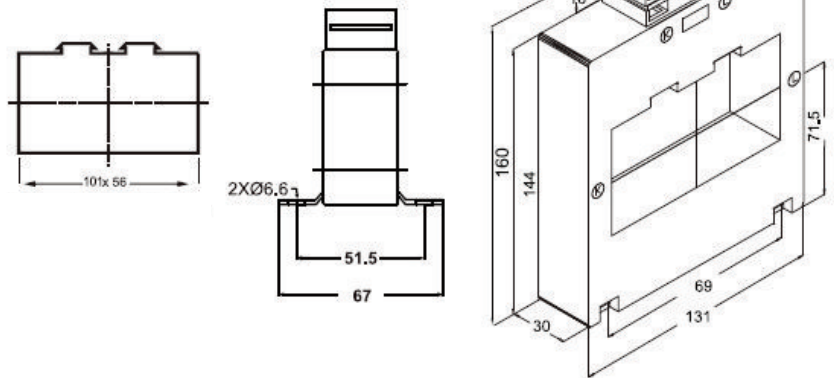


CURRENT TRANSFORMERS

AST1056 - WINDOW CURRENT TRANSFORMER



Dimensions: 131 x 160 x 30 mm

Primary bar: 3 x 60 x 30 mm

AST1056 Technical Features, Executions

Primary rated current A	sec. 5 A / Rated burdens VA		sec. 1 A / Rated burdens VA	
	Class 0.5	Class 1	Class 0.5	Class 1
600	-	10	-	-
750	5	10	5	-
800	7.5	10	7.5	-
1000	10	10	10	10
1250	15	15	15	15
1500	15	15	15	15
1600	15	15	15	15
2000	15	25	15	10
2500	20	30	10	10
3000	25	30	15	15
3200	10	30	15	30

Accessories (included):

- Mounting feet (2 pieces)
- Primary fixing device

Special executions (On request):

- Other ranges, classes or rated burden VA.

General Mechanical Feature

- unbreakable plastic casing, polyamide
- difficult to inflame, according to UL 94 V0 and selfextinguishing
- nickel-plated secondary terminals with plus minus screws (2 Nm)
- integrated secondary terminal caps

General Electrical Features

- rated frequency 50-60Hz (other frequencies on request)
- class of insulation E (other classes on request)
- rated short-time thermal current $I_{th} = 60 \cdot I_N$
- nominal surge current $I_{dyn} = 2.5 \cdot I_{th}$
- highest voltage for equipment $U_m = 0,72kV$ (other voltages on request)
- rated power-frequency withstand voltage 3kV/1min
- instrument security factor FS5 or FS10