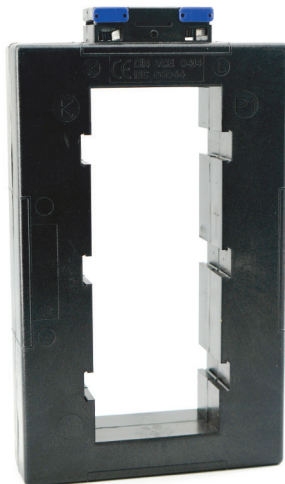
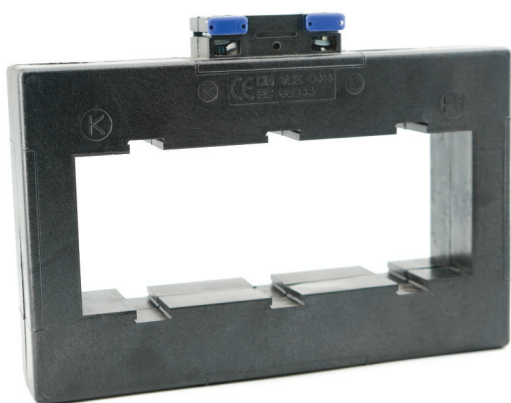
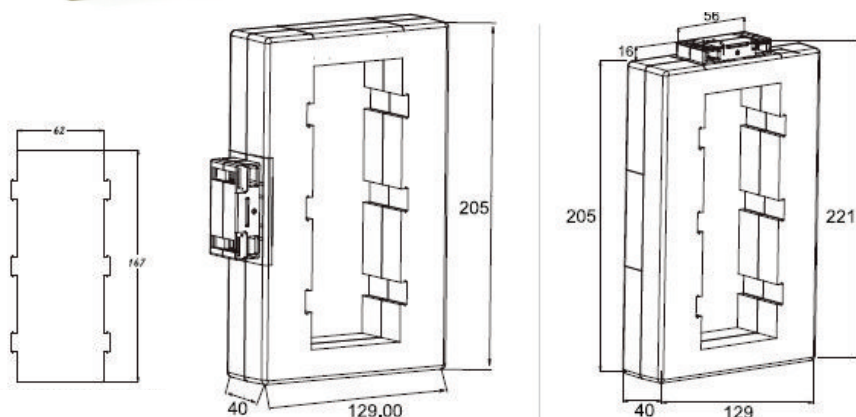


CURRENT TRANSFORMERS

AST1656 - WINDOW CURRENT TRANSFORMER



Dimensions:	
AST1656H	145 x 205 x 40 mm
AST1656V	129 x 221 x 40 mm
Primary bar:	165 x 60 mm



AST1656H / AST1656V Technical Features, Executions

Primary rated current A	sec. 5 A / Rated burdens VA		sec. 1 A / Rated burdens VA	
	Class 0.5	Class 1	Class 0.5	Class 1
600	5	10	-	10
750	-	15	-	15
800	10	15	10	15
1000	15	15	15	20
1250	15	15	15	20
1500	15	15	15	20
1600	15	15	15	20
2000	15	20	15	20
2500	15	20	15	20
3000	15	20	15	20
3200	15	20	15	20
3500	15	20	15	20
4000	15	20	15	20
5000	-	20	-	20

Accessories (included):

- Mounting feet (2 pieces)
- Primary fixing device

Special executions (On request):

- Other ranges, classes or rated burden VA.

General Mechanical Feature

- unbreakable plastic casing, polyamide
- difficult to inflame, according to UL 94 V0 and selfextinguishing
- nickel-plated secondary terminals with plus minus screws (2 Nm)
- integrated secondary terminal caps

General Electrical Features

- rated frequency 50-60Hz (other frequencies on request)
- class of insulation E (other classes on request)
- rated short-time thermal current $I_{th} = 60 \cdot I_N$
- nominal surge current $I_{dyn} = 2.5 \cdot I_{th}$
- highest voltage for equipment $U_m = 0,72kV$ (other voltages on request)
- rated power-frequency withstand voltage 3kV/1min
- instrument security factor FS5 or FS10