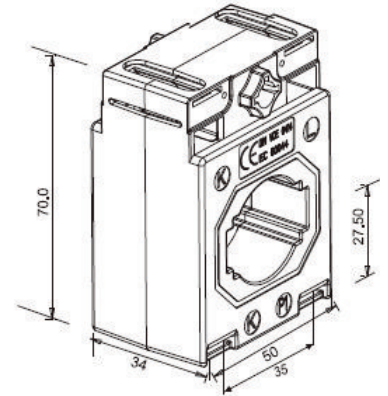
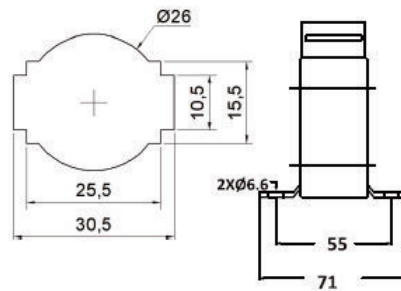


# CURRENT TRANSFORMERS

## AST310s - WINDOW CURRENT TRANSFORMER



Dimensions: 50 x 70 34 mm

Primary bar: 30 x 10 mm

### AST310S Technical Features, Executions

Primary rated current A	sec. 5 A / Rated burdens VA			sec. 1 A / Rated burdens VA
	Class 0.5	Class 1	Class 3	Class 1
50	-	-	1.25	-
60	-	-	1.25	-
75	-	1.25	1.25	1.25
80	-	1.25	2.5	1.25
100	-	2.5	2.5	2.5
125	-	2.5	2.5	2.5
150	-	3.75	3.75	3.75
200	2.5	5	5	5
250	3.75	5	5	5
300	3.75	5	5	5
400	5	5	5	5
500	2.5	3.75	5	3.75
600	5	5	7.5	5

#### Accessories (included):

- Mounting feet (2 pieces)
- Primary fixing device

#### Special executions (On request):

- Other ranges, classes or rated burden VA.

#### General Mechanical Feature

- unbreakable plastic casing, polyamide
- difficult to inflame, according to UL 94 V0 and selfextinguishing
- nickel-plated secondary terminals with plus minus screws (2 Nm)
- integrated secondary terminal caps

#### General Electrical Features

- rated frequency 50-60Hz (other frequencies on request)
- class of insulation E (other classes on request)
- rated short-time thermal current  $I_{th} = 60 \cdot I_N$
- nominal surge current  $I_{dyn} = 2.5 \cdot I_{th}$
- highest voltage for equipment  $U_m = 0,72kV$  (other voltages on request)
- rated power-frequency withstand voltage 3kV/1min
- instrument security factor FS5 or FS10