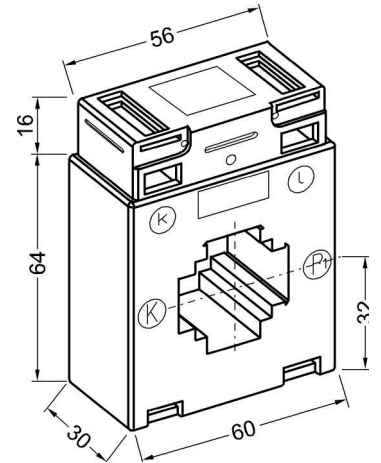
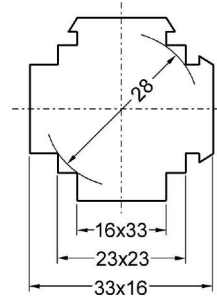


CURRENT TRANSFORMERS

AST315 - WINDOW CURRENT TRANSFORMER



Dimensions: 60 x 80 x 30 mm

Primary bar: 30 x 15 mm

AST315 Technical Features, Executions

Primary rated current A	sec. 5 A / Rated burdens VA		sec. 1 A / Rated burdens VA	
	Class 0.5	Class 1	Class 0.5	Class 1
50	-	1.25 *	-	-
60	-	1.25	-	-
75	-	1.25	-	2.5
80	-	1.25	-	2.5
100	-	2.5	1.25	2.5
125	-	3.75	1.25	3.75
150	1.25	3.75	2.5	5
200	3.75	3.75	3.75	5
250	5	7.5	5	7.5
300	7.5	7.5	7.5	10
400	7.5	10	10	10
500	7.5	10	10	10
600	10	10	10	15
700	10	10	10	15
750	15	20	15	15

* class 3

Accessories (included):

- Mounting feet (2 pieces)
- Primary fixing device

Special executions (On request):

- Other ranges, classes or rated burden VA.

General Mechanical Feature

- unbreakable plastic casing, polyamide
- difficult to inflame, according to UL 94 V0 and selfextinguishing
- nickel-plated secondary terminals with plus minus screws (2 Nm)
- integrated secondary terminal caps

General Electrical Features

- rated frequency 50-60Hz (other frequencies on request)
- class of insulation E (other classes on request)
- rated short-time thermal current $I_{th} = 60 \cdot I_N$
- nominal surge current $I_{dyn} = 2.5 \cdot I_{th}$
- highest voltage for equipment $U_m = 0,72kV$ (other voltages on request)
- rated power-frequency withstand voltage 3kV/1min
- instrument security factor FS5 or FS10