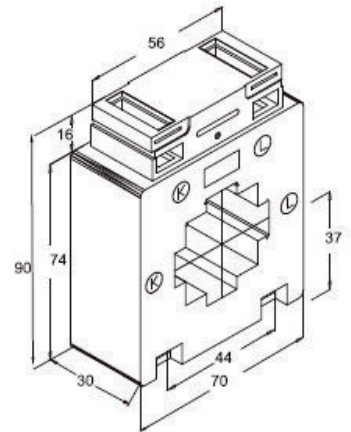
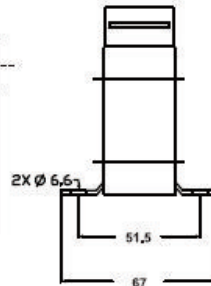
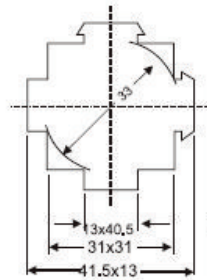


# CURRENT TRANSFORMERS

## AST412 - WINDOW CURRENT TRANSFORMER



Dimensions: 70 x 90 x 30 mm

Round conductor: Ø 33 mm

Primary bar: 40x 13 mm  
2 x 30 x 10 mm

### AST412 Technical Features, Executions

Primary rated current A	sec. 5 A / Rated burdens VA		sec. 1 A / Rated burdens VA	
	Class 0.5	Class 1	Class 0.5	Class 1
125	1.25	1.5	1.25	1.5
150	2.5	5	2.5	5
200	3.75	5	3.75	5
250	5	7.5	5	7.5
300	5	7.5	5	7.5
400	7.5	10	7.5	10
500	7.5	10	7.5	10
600	10	15	10	-
750	10	15	10	-
800	-	15	-	-
1000	-	20	-	-

#### Accessories (included):

- Mounting feet (2 pieces)
- Primary fixing device

#### Special executions (On request):

- Other ranges, classes or rated burden VA.

#### General Mechanical Feature

- unbreakable plastic casing, polyamide
- difficult to inflame, according to UL 94 V0 and selfextinguishing
- nickel-plated secondary terminals with plus minus screws (2 Nm)
- integrated secondary terminal caps

#### General Electrical Features

- rated frequency 50-60Hz (other frequencies on request)
- class of insulation E (other classes on request)
- rated short-time thermal current  $I_{th} = 60 \cdot I_N$
- nominal surge current  $I_{dyn} = 2.5 \cdot I_{th}$ .
- highest voltage for equipment  $U_m = 0,72kV$  (other voltages on request)
- rated power-frequency withstand voltage 3kV/1min
- instrument security factor FS5 or FS10