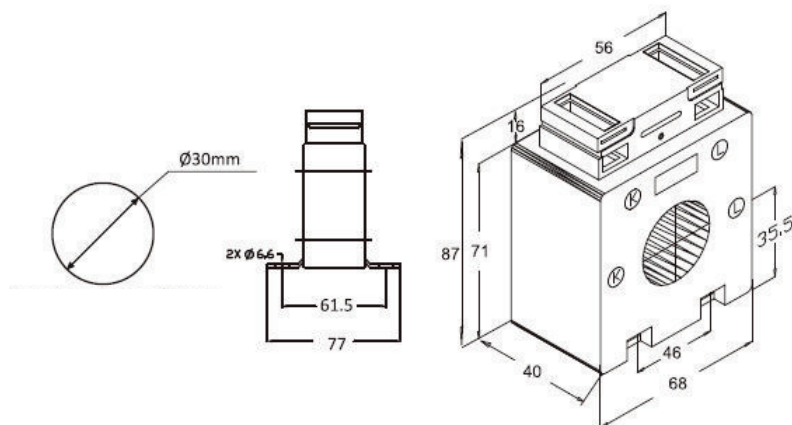


# CURRENT TRANSFORMERS

## AST4R30 - WINDOW CURRENT TRANSFORMER



Dimensions: 68 x 87 x 40 mm

Round conductor: Ø 30 mm

### AST4R30 Technical Features, Executions

Primary rated current A	sec. 5 A / Rated burdens VA		sec. 1 A / Rated burdens VA	
	Class 0.5	Class 1	Class 0.5	Class 1
60	-	1.25	-	-
75	-	2.5	-	1
80	-	2.5	-	2.5
100	2.5	5	-	5
125	3.75	5	-	5
150	3.75	10	5	10
200	5	15	5	10
250	5	15	5	15
300	10	15	10	15
400	10	15	10	15
500	15	15	15	-
600	15	15	15	-

#### Accessories (included):

- Mounting feet (2 pieces)

#### Special executions (On request):

- Other ranges, classes or rated burden VA.

#### General Mechanical Feature

- unbreakable plastic casing, polyamide
- difficult to inflame, according to UL 94 V0 and selfextinguishing
- nickel-plated secondary terminals with plus minus screws (2 Nm)
- integrated secondary terminal caps

#### General Electrical Features

- rated frequency 50-60Hz (other frequencies on request)
- class of insulation E (other classes on request)
- rated short-time thermal current  $I_{th} = 60 \cdot I_N$
- nominal surge current  $I_{dyn} = 2.5 \cdot I_{th}$
- highest voltage for equipment  $U_m = 0,72kV$  (other voltages on request)
- rated power-frequency withstand voltage 3kV/1min
- instrument security factor FS5 or FS10