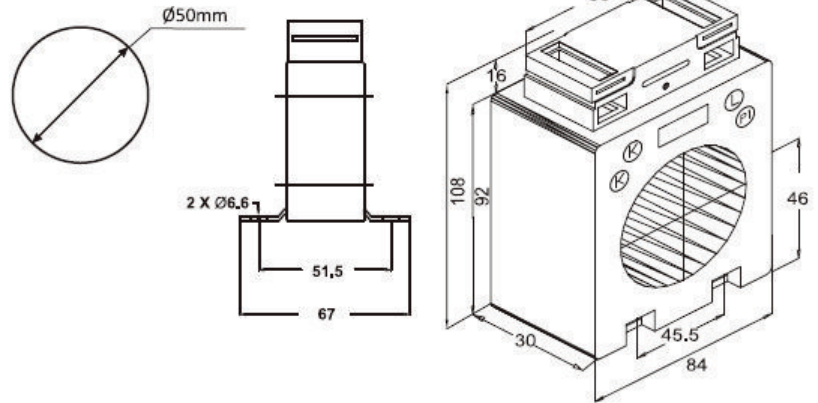


# CURRENT TRANSFORMERS

## AST5R50 - WINDOW CURRENT TRANSFORMER



Dimensions: 80 x 108 x 30 mm

Round conductor: Ø 50 mm

### AST5R50 Technical Features, Executions

Primary rated current A	sec. 5 A / Rated burdens VA		sec. 1 A / Rated burdens VA	
	Class 0.5	Class 1	Class 0.5	Class 1
100	-	1	-	-
125	-	1.25	-	-
150	-	2.5	-	-
200	-	5	-	5
250	2.5	7.5	2.5	5
300	5	15	5	10
400	7.5	15	7.5	10
500	10	15	10	15
600	10	15	10	15
750	15	15	15	15
800	15	15	15	15
1000	15	15	15	15
1250	15	15	15	15
1500	-	15	-	-

#### Accessories (included):

- Mounting feet (2 pieces)

#### Special executions (On request):

- Other ranges, classes or rated burden VA.

#### General Mechanical Feature

- unbreakable plastic casing, polyamide
- difficult to inflame, according to UL 94 V0 and selfextinguishing
- nickel-plated secondary terminals with plus minus screws (2 Nm)
- integrated secondary terminal caps

#### General Electrical Features

- rated frequency 50-60Hz (other frequencies on request)
- class of insulation E (other classes on request)
- rated short-time thermal current  $I_{th} = 60 \cdot I_N$
- nominal surge current  $I_{dyn} = 2.5 \cdot I_{th}$
- highest voltage for equipment  $U_m = 0,72kV$  (other voltages on request)
- rated power-frequency withstand voltage 3kV/1min
- instrument security factor FS5 or FS10