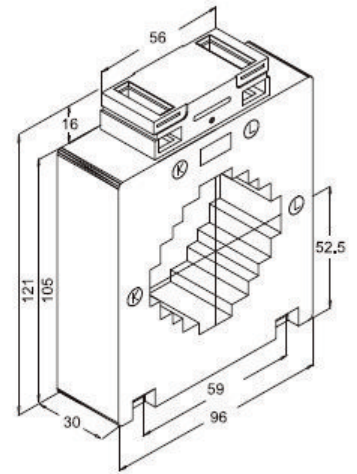
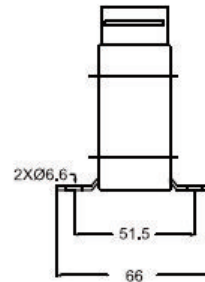
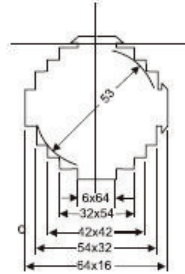


CURRENT TRANSFORMERS

AST615 - WINDOW CURRENT TRANSFORMER



Dimensions: 96 x 121 x 30 mm

Round conductor: Ø 53 mm

Primary bar:
60 x 15 mm
2 x 50 x 10 mm
40 x 40 mm

AST615 Technical Features, Executions

Primary rated current A	sec. 5 A / Rated burdens VA		sec. 1 A / Rated burdens VA	
	Class 0.5	Class 1	Class 0.5	Class 1
200	-	2.5	-	2.5
250	2.5	5	2.5	5
300	2.5	5	2.5	5
400	5	10	5	7.5
500	7.5	15	7.5	10
600	10	15	10	15
750	15	15	15	15
800	15	15	15	15
1000	15	15	10	10
1250	15	15	15	-
1500	15	15	15	-
1600	15	20	15	15
2000	30	15	30	-

Accessories (included):

- Mounting feet (2 pieces)
- Primary fixing device

Special executions (On request):

- Other ranges, classes or rated burden VA.

General Mechanical Feature

- unbreakable plastic casing, polyamide
- difficult to inflame, according to UL 94 V0 and selfextinguishing
- nickel-plated secondary terminals with plus minus screws (2 Nm)
- integrated secondary terminal caps

General Electrical Features

- rated frequency 50-60Hz (other frequencies on request)
- class of insulation E (other classes on request)
- rated short-time thermal current $I_{th} = 60 \cdot I_N$
- nominal surge current $I_{dyn} = 2.5 \cdot I_{th}$.
- highest voltage for equipment $U_m = 0,72kV$ (other voltages on request)
- rated power-frequency withstand voltage 3kV/1min
- instrument security factor FS5 or FS10