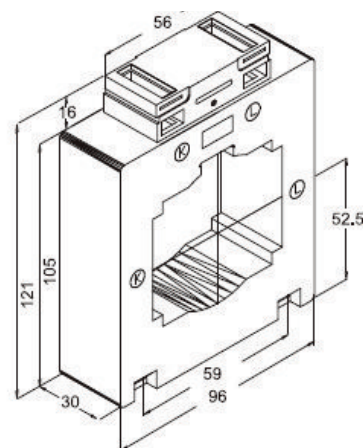
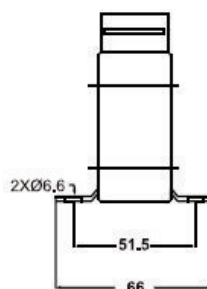
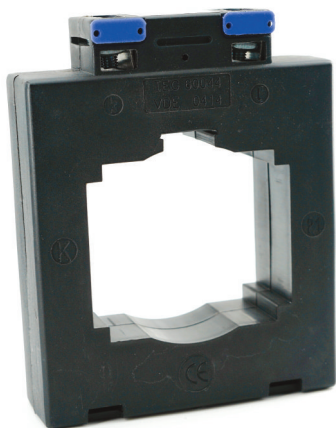


CURRENT TRANSFORMERS

AST640 - WINDOW CURRENT TRANSFORMER



Dimensions: 96 x 121 x 30 mm

Round conductor: Ø 61 mm

Primary bar: 60 x 40 mm
3 x 60 x 10 mm
3 x 50 x 10 mm

AST640 Technical Features, Executions

Primary rated current A	sec. 5 A / Rated burdens VA		sec. 1 A / Rated burdens VA	
	Class 0.5	Class 1	Class 0.5	Class 1
200	-	2.5	-	-
250	-	5	-	2.5
300	-	5	-	5
400	3.75	7.5	3.75	5
500	5	10	5	10
600	10	15	10	15
630	10	15	10	15
750	10	15	10	15
800	15	15	15	15
1000	15	15	15	15
1250	15	15	15	-
1500	15	15	15	-
1600	15	20	15	-
2000	-	15	-	-

Accessories (included):

- Mounting feet (2 pieces)
- Primary fixing device

Special executions (On request):

- Other ranges, classes or rated burden VA.

General Mechanical Feature

- unbreakable plastic casing, polyamide
- difficult to inflame, according to UL 94 V0 and selfextinguishing
- nickel-plated secondary terminals with plus minus screws (2 Nm)
- integrated secondary terminal caps

General Electrical Features

- rated frequency 50-60Hz (other frequencies on request)
- class of insulation E (other classes on request)
- rated short-time thermal current $I_{th} = 60 \cdot I_N$
- nominal surge current $I_{dyn} = 2.5 \cdot I_{th}$
- highest voltage for equipment $U_m = 0,72kV$ (other voltages on request)
- rated power-frequency withstand voltage 3kV/1min
- instrument security factor FS5 or FS10