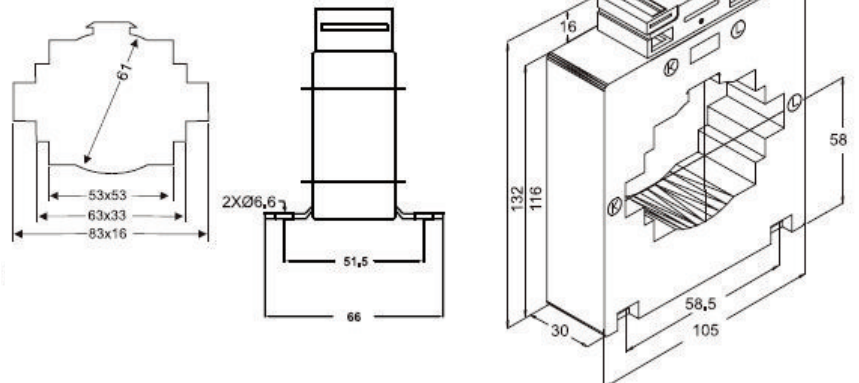


CURRENT TRANSFORMERS

AST815 - WINDOW CURRENT TRANSFORMER



Dimensions:	105 x 132 x 30 mm
Round conductor:	Ø 61 mm
Primary bar:	80 x 15 mm 2 x 60 x 10 mm 3 x 50 x 10 mm

AST815 Technical Features, Executions

Primary rated current A	sec. 5 A / Rated burdens VA		sec. 1 A / Rated burdens VA	
	Class 0.5	Class 1	Class 0.5	Class 1
400	-	5	-	5
500	-	7.5	-	7.5
600	5	10	5	10
630	5	10	-	-
750	5	10	5	10
800	10	10	10	10
1000	20	15	20	10
1250	7.5	15	7.5	10
1500	10	10	10	10
1600	10	15	10	15
2000	10	10	10	15
2500	5	5	5	25

Accesorios (included):

- Mounting feet (2 pieces)
- Primary fixing device

Special executions (On request):

- Other ranges, classes or rated burden VA.

General Mechanical Feature

- unbreakable plastic casing, polyamide
- difficult to inflame, according to UL 94 V0 and selfextinguishing
- nickel-plated secondary terminals with plus minus screws (2 Nm)
- integrated secondary terminal caps

General Electrical Features

- rated frequency 50-60Hz (other frequencies on request)
- class of insulation E (other classes on request)
- rated short-time thermal current $I_{th} = 60 \cdot I_N$
- nominal surge current $I_{dyn} = 2.5 \cdot I_{th}$.
- highest voltage for equipment $U_m = 0,72kV$ (other voltages on request)
- rated power-frequency withstand voltage 3kV/1min
- instrument security factor FS5 or FS10