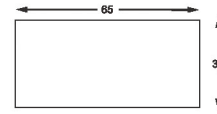


CURRENT TRANSFORMERS

ASTP635H Protective current transformers

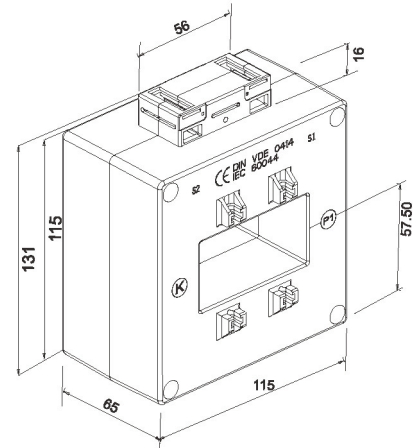


Primary bar 60 x 30 mm



ASTP635H Technical Features, Executions

Primary rated current A	Rated burdens VA (sec. .../5A)		
	Class 5P10	Class 5P20	Class 10P20
300	5	-	-
400	7.5	-	-
500	10	-	-
600	10	5	5
700	10	5	5
750	15	5	5
800	15	5	5
1000	15	5	5
1200	15	5	5
1250	15	5	5
1500	15	5	5
1600	15	5	5
2000	15	-	-

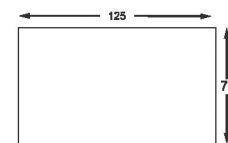


Included in delivery: Primary fixing device

ASTP1257H Protective current transformers

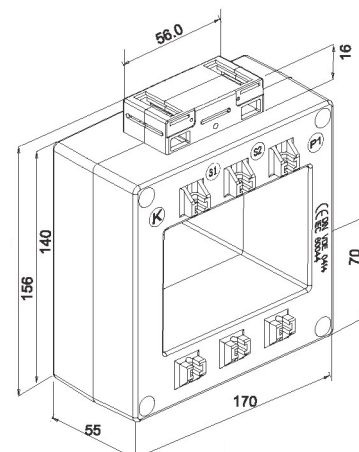


Primary bar 120 x 70 mm



ASTP1257H Technical Features, Executions

Primary rated current A	Rated burdens VA (sec. .../5A)	
	Class 5P10	Class 10P10
800	7.5	7.5
1000	10	10
1200	10	10
1250	10	10
1500	10	10
1600	10	10
2000	10	10
2500	10	10



Included in delivery: Primary fixing device