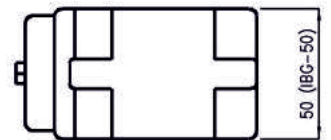
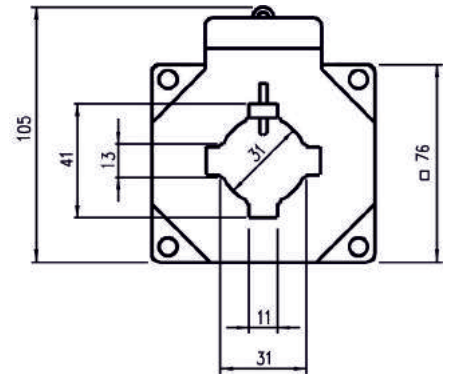


# CURRENT TRANSFORMERS

## IBG-50 Protective current transformers



Round conductor:	Ø 30 mm
Primary bar:	40 x 10 mm



### IBG-50 Technical Features, Executions

Primary rated current A	Rated burdens VA (sec. .../5A , .../1A)			
	Class 5P10	Class 10P10	Class 5P5	Class 10P5
150	-	-	2,5	2,5
200	1,25	1,25	2,5	2,5
250	-	-	1,25	1,25
300	-	-	1,25	1,25
400	-	-	2,5	2,5
500	-	-	2,5	3,75
600	-	-	2,5	3,75
750	-	-	3,75	5
800	-	-	-	1,25
1000	-	-	-	1,25

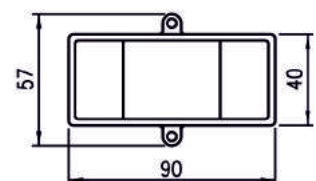
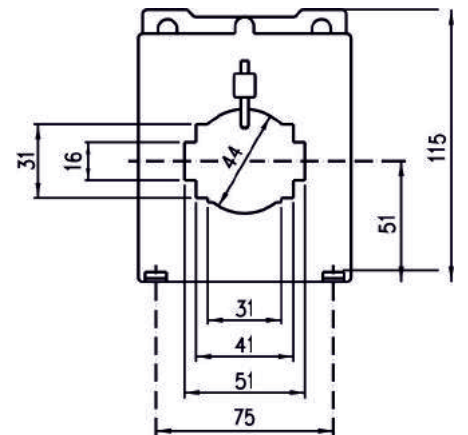
Included in delivery: Primary fixing device

Accessories: Mounting feet / snap on mounting bracket EN 50022-35

## IBR Protective current transformers



Round conductor:	Ø 44 mm
Primary bar:	50 x 15 mm 2 x 40 x 10 mm



### IBR Technical Features, Executions

Primary rated current A	Rated burdens VA (sec. .../5A)		Rated burdens VA (sec. .../1A)	
	Class 5P5	Class 10P5	Class 5P5	Class 10P5
400	1,25	1,25	1,25	1,25
500	1,25	1,25	2,5	2,5
600	2,5	2,5	2,5	2,5
750	2,5	2,5	3,75	3,75
800	2,5	2,5	3,75	3,75
1000	2,5	2,5	5	5
1200	1,25	1,25	3,75	3,75
1500	1,25	1,25	5	5

Included in delivery: Primary fixing device

Accessories: Mounting feet / snap on mounting bracket EN 50022-35