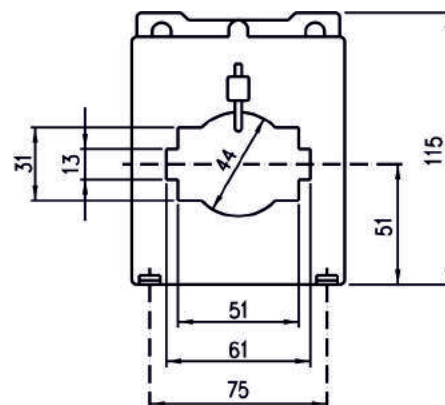


CURRENT TRANSFORMERS

IBR/1 Protective current transformers



| | |
|------------------|------------------------------|
| Round conductor: | Ø 44 mm |
| Primary bar: | 60 x 12 mm 2 x 50 x 10 mm |

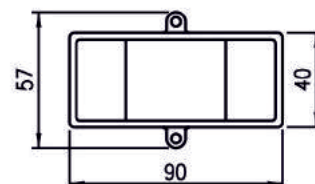


IBR/1 Technical Features, Executions

| Primary rated current A | Rated burdens VA (sec. .../5A) | | Rated burdens VA (sec. .../1A) | |
|-------------------------|--------------------------------|------------|--------------------------------|------------|
| | Class 5P5 | Class 10P5 | Class 5P5 | Class 10P5 |
| 400 | 1,25 | 1,25 | 1,25 | 1,25 |
| 500 | 1,25 | 1,25 | 2,5 | 2,5 |
| 600 | 2,5 | 2,5 | 2,5 | 2,5 |
| 750 | 2,5 | 2,5 | 3,75 | 3,75 |
| 800 | 2,5 | 2,5 | 3,75 | 3,75 |
| 1000 | 2,5 | 2,5 | 5 | 5 |
| 1200 | 1,25 | 1,25 | 3,75 | 3,75 |
| 1500 | 1,25 | 1,25 | 5 | 5 |

Included in delivery: Primary fixing device

Accessories: Mounting feet / snap on mounting bracket EN 50022-35



IER Protective current transformers

IER



IER/2



IER/1



IER/3



| | |
|-----------------|------------------------------|
| Round conductor | |
| IER | Ø 50 mm |
| IER/1 | Ø 80 mm |
| Primary bar | |
| IER | 80 x 10 mm 2 x 60 x 10 mm |
| IER/2 | 3 x 60 x 10 mm |
| IER/3 | 2 x 80 x 10 mm |

IER-1/-2/-3 Technical Features, Executions

| Primary rated current A | Rated burdens VA (sec. .../5A, .../1A) | | | |
|-------------------------|--|-------------|-----------|------------|
| | Class 5P10 | Class 10P10 | Class 5P5 | Class 10P5 |
| 250 | - | 1,25 | 2,5 | 2,5 |
| 300 | 1,25 | 1,25 | 3,75 | 3,75 |
| 400 | 1,25 | 1,25 | 5 | 5 |
| 500 | 2,5 | 2,5 | 7,5 | 7,5 |
| 600 | 1,25 | 1,25 | 5 | 5 |
| 750 | 2,5 | 2,5 | 7,5 | 7,5 |
| 800 | 1,25 | 1,25 | 7,5 | 7,5 |
| 1000 | 2,5 | 2,5 | 10 | 10 |
| 1200 | 2,5 | 3,75 | 10 | 10 |
| 1500 | 5 | 5 | 15 | 15 |
| 1600 | 5 | 5 | 15 | 15 |
| 2000 | 5 | 5 | 20 | 20 |

Included in delivery: Primary fixing device (except IER/1)

