

SHUNTS

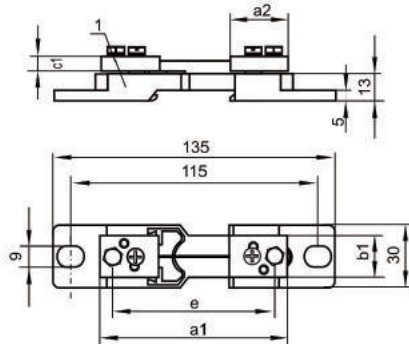
- Accuracy class 0.5 / Special executions class 0.2 on request
- Shunts of 1...25 A ranges (and on request, 60mV 40... 150 A) are fixed on an isolating base.
- The isolating base is adapted to be assembled on a 35 mm DIN rail.

Technical Data

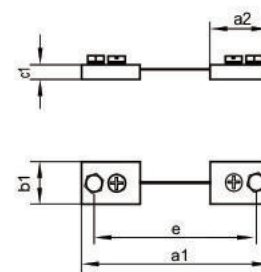
| | | |
|--|--|---|
| Electromagnetic compatibility | noise immunity noise emissions | acc. to EN 61000-6-2 acc. to EN 61000-6-4 |
| Overload range | continuously 5 s max. $\leq 2,000$ A $> 2,000 \dots 10,000$ A | 1.2 times rated current 5 times rated current 5 times rated current |
| Accuracy class | 0.5 | Special executions class 0.2 on request |
| Additional error from ambient temperature | 0.5 % / 10 °C | acc. to EN 60051-8:2000 |
| Climatic suitability | climatic class 3 | acc. to VDE/VDI 3540 |
| Operating temperature | - 10 ... + 55°C | |
| Storage temperature | - 25 ... + 65°C | |
| Relative humidity | $\leq 75\%$ annual average, non-condensing | |
| Shunt calibration | of 1 .. 10 A range Shunts 150 mV of 1 .. 4 A ranges | considering the 10 mA current of the meter measuring element considering the 5 mA current of the meter measuring element |
| Shunts dimensions | acc. to DIN 43 703 standard | |
| Testing voltage of shunts with an isolating base | 5 kV | |
| Resistance of a pair of wires connecting the shunt to meter | 35m Ω or 75 Ω , wires are not delivered with the shunt | |
| Long-term overload | 120%·I _n | |
| Short duration overload up to 5 seconds | for range up to 2kA - 5·I _n for range 2kA <I _n <10kA - 2·I _n | |

Dimensions / Version:

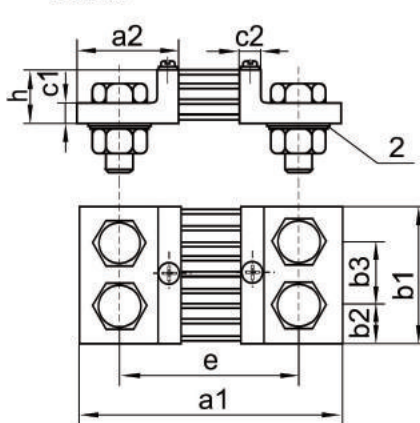
Version A (on an isolating base)



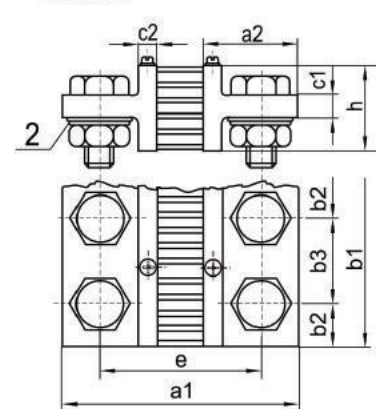
Version D



Version B



Version C



SHUNTS

| Shunts 60 mV | | | | | | | | | | | | Current terminals | | | |
|-------------------------------|---------|-----|----|-----|----|----|----|----|-----|-----|-------------|-------------------|----------|-----|-----|
| IN (A) | Version | a1 | a2 | b1 | b2 | b3 | c1 | c2 | e | h | Weight (kg) | LZ | Bolt | P | N |
| 1; 1,5; 2,5; 4; 6; 10; 15; 25 | A, D | 90 | 28 | 20 | - | - | 8 | - | 78 | - | 0.13 | 2 x 1 | M5 x 12 | 5.5 | - |
| 40, 60, 100,150 | B | 100 | 33 | 20 | - | - | 8 | - | 80 | - | 0.13 | 2 x 1 | M8 x 16 | 8.5 | - |
| 250 | B | 145 | 55 | 30 | 15 | - | 10 | 10 | 105 | 30 | 0.60 | 2 x 1 | M12 x 40 | 13 | M12 |
| 400 | B | 145 | 55 | 40 | 20 | - | 10 | 10 | 105 | 30 | 0.85 | 2 x 1 | M16 x 45 | 17 | M16 |
| 600 | B | 145 | 55 | 40 | 20 | - | 10 | 10 | 105 | 30 | 0.85 | 2 x 1 | M16 x 45 | 17 | M16 |
| 1000 | B | 165 | 65 | 60 | 30 | - | 10 | 10 | 115 | 30 | 1.45 | 2 x 1 | M20 x 50 | 21 | M20 |
| 1500 | B | 165 | 65 | 90 | 21 | 48 | 10 | 10 | 115 | 30 | 2.00 | 2 x 2 | M16 x 45 | 17 | M16 |
| 2500 | B | 165 | 65 | 120 | 30 | 60 | 10 | 10 | 115 | 30 | 2.90 | 2 x 2 | M20 x 50 | 21 | M20 |
| 4000 | C | 165 | 65 | 120 | 30 | 60 | 15 | 10 | 115 | 60 | 4.30 | 2 x 2 | M20 x 60 | 21 | M20 |
| 6000 | C | 175 | 70 | 154 | 25 | 52 | 25 | 15 | 125 | 130 | 10.50 | 2 x 3 | M20 x 75 | 21 | M20 |
| 10000 | C | 185 | 75 | 206 | 25 | 52 | 30 | 20 | 135 | 170 | 21.00 | 2 x 4 | M20 x 80 | 21 | M20 |
| 15000 | C | 185 | 75 | 310 | 25 | 52 | 30 | 20 | 135 | 170 | 32.00 | 2 x 6 | M20 x 80 | 21 | M20 |

| Shunts 150 mV | | | | | | | | | | | | Current terminals | | | |
|-------------------------------|---------|-----|----|-----|----|----|----|-----|-----|-----|-------------|-------------------|----------|-----|-----|
| IN (A) | Version | a1 | a2 | b1 | b2 | b3 | c1 | c2 | e | h | Weight (kg) | LZ | Bolt | P | N |
| 1; 1,5; 2,5; 4; 6; 10; 15; 25 | A | 90 | 28 | 20 | - | - | 8 | - | 78 | - | 0.14 | 2 x 1 | M5 x 12 | 5.5 | - |
| 40, 60, 100,150 | D | 225 | 33 | 25 | - | - | 8 | - | 205 | - | 0.23 | 2 x 1 | M8 x 16 | 8.5 | - |
| 250 | B | 270 | 55 | 30 | 15 | - | 10 | 50 | 230 | 50 | 0.68 | 2 x 1 | M12 x 40 | 13 | M12 |
| 400 | B | 270 | 55 | 40 | 20 | - | 10 | 50 | 230 | 50 | 1.05 | 2 x 1 | M16 x 45 | 17 | M16 |
| 600 | B | 270 | 55 | 40 | 20 | - | 10 | 50 | 230 | 50 | 1.16 | 2 x 1 | M16 x 45 | 17 | M16 |
| 1000 | B | 290 | 65 | 70 | 35 | - | 10 | 50 | 240 | 50 | 2.15 | 2 x 1 | M20 x 50 | 21 | M20 |
| 1500 | C | 290 | 65 | 90 | 21 | 48 | 10 | 60 | 240 | 60 | 3.10 | 2 x 2 | M16 x 45 | 17 | M16 |
| 2500 | C | 290 | 65 | 120 | 30 | 60 | 10 | 60 | 240 | 60 | 5.20 | 2 x 2 | M20 x 50 | 21 | M20 |
| 4000 | C | 300 | 70 | 120 | 30 | 60 | 15 | 130 | 250 | 130 | 8.30 | 2 x 2 | M20 x 60 | 21 | M20 |
| 6000 | C | 300 | 70 | 154 | 25 | 52 | 15 | 130 | 250 | 130 | 15.00 | 2 x 3 | M20 x 75 | 21 | M20 |
| 10000 | C | 310 | 75 | 206 | 25 | 52 | 20 | 170 | 260 | 170 | 28.00 | 2 x 4 | M20 x 80 | 21 | M20 |
| 15000 | C | 310 | 75 | 310 | 25 | 52 | 20 | 170 | 260 | 170 | 35.00 | 2 x 6 | M20 x 80 | 21 | M20 |

| Shunts 50 mV | | | | | | | | | | | | Current terminals | | | |
|-------------------------------|---------|-----|----|-----|----|----|----|----|-----|-----|-------------|-------------------|----------|-----|-----|
| IN (A) | Version | a1 | a2 | b1 | b2 | b3 | c1 | c2 | e | h | Weight (kg) | LZ | Bolt | P | N |
| 1; 1,5; 2,5; 4; 6; 10; 15; 25 | A | 90 | 28 | 20 | - | - | 8 | - | 78 | - | 0.13 | 2 x 1 | M5 x 12 | 5.5 | - |
| 40, 60, 100,150 | D | 93 | 33 | 20 | - | - | 8 | - | 73 | - | 0.13 | 2 x 1 | M8 x 16 | 8.5 | - |
| 250 | B | 138 | 55 | 30 | 15 | - | 10 | 10 | 98 | 30 | 0.60 | 2 x 1 | M12 x 40 | 13 | M12 |
| 400 | B | 138 | 55 | 40 | 20 | - | 10 | 10 | 98 | 30 | 0.85 | 2 x 1 | M16 x 45 | 17 | M16 |
| 600 | B | 138 | 55 | 40 | 20 | - | 10 | 10 | 98 | 30 | 0.85 | 2 x 1 | M16 x 45 | 17 | M16 |
| 1000 | B | 158 | 65 | 60 | 30 | - | 10 | 10 | 108 | 30 | 1.45 | 2 x 1 | M20 x 50 | 21 | M20 |
| 1500 | B | 158 | 65 | 90 | 21 | 48 | 10 | 10 | 108 | 30 | 2.00 | 2 x 2 | M16 x 45 | 17 | M16 |
| 2500 | B | 158 | 65 | 120 | 30 | 60 | 10 | 10 | 108 | 30 | 2.90 | 2 x 2 | M20 x 50 | 21 | M20 |
| 4000 | C | 158 | 65 | 120 | 30 | 60 | 15 | 10 | 108 | 60 | 4.30 | 2 x 2 | M20 x 60 | 21 | M20 |
| 6000 | C | 168 | 70 | 154 | 25 | 52 | 25 | 15 | 118 | 130 | 10.50 | 2 x 3 | M20 x 75 | 21 | M20 |
| 10000 | C | 178 | 75 | 206 | 25 | 52 | 30 | 20 | 128 | 170 | 21.00 | 2 x 4 | M20 x 80 | 21 | M20 |
| 15000 | C | 178 | 75 | 310 | 25 | 52 | 30 | 20 | 128 | 170 | 32.00 | 2 x 6 | M20 x 80 | 21 | M20 |

SHUNTS

| Shunts 75 mV | | | | | | | | | | | | Current terminals | | | |
|--|---------|-----|----|-----|----|----|----|----|-----|-----|-------------|-------------------|----------|-----|-----|
| IN (A) | Version | a1 | a2 | b1 | b2 | b3 | c1 | c2 | e | h | Weight (kg) | LZ | Bolt | P | N |
| 1; 1,5; 2,5; 4; 6; 10; 15; 25 | A | 90 | 28 | 20 | - | - | 8 | - | 78 | - | 0.14 | 2 x 1 | M5 x 12 | 5.5 | - |
| 30, 40, 50, 60, 75, 80, 100, 125, 150, 160 | D | 115 | 33 | 25 | - | - | 8 | - | 95 | - | 0.17 | 2 x 1 | M8 x 16 | 8.5 | - |
| 200, 250, 300 | B | 160 | 55 | 30 | 15 | - | 10 | 10 | 120 | 30 | 0.63 | 2 x 1 | M12 x 40 | 13 | M12 |
| 300, 400, 500 | B | 160 | 55 | 40 | 20 | - | 10 | 10 | 120 | 30 | 0.92 | 2 x 1 | M16 x 45 | 17 | M16 |
| 500, 600 | B | 160 | 55 | 40 | 20 | - | 10 | 10 | 120 | 30 | 1.00 | 2 x 1 | M16 x 45 | 17 | M16 |
| 750, 800, 1000, 1200 | B | 180 | 65 | 60 | 30 | - | 10 | 10 | 130 | 30 | 1.75 | 2 x 1 | M20 x 50 | 21 | M20 |
| 1200, 1500, 2000 | B | 180 | 65 | 120 | 30 | 60 | 10 | 10 | 130 | 30 | 2.30 | 2 x 2 | M16 x 45 | 17 | M16 |
| 2000, 2500, 3000 | C | 180 | 65 | 120 | 30 | 60 | 15 | 10 | 130 | 60 | 3.10 | 2 x 2 | M20 x 60 | 21 | M20 |
| 3000, 4000, 5000 | C | 190 | 70 | 120 | 30 | 60 | 25 | 15 | 140 | 130 | 5.20 | 2 x 2 | M20 x 75 | 21 | M20 |
| 5000, 6000, 8000 | C | 190 | 70 | 154 | 25 | 52 | 25 | 15 | 140 | 130 | 11.20 | 2 x 3 | M20 x 75 | 21 | M20 |
| 8000, 10000 | C | 200 | 75 | 206 | 25 | 52 | 30 | 20 | 150 | 170 | 22.00 | 2 x 4 | M20 x 80 | 21 | M20 |
| 15000 | C | 200 | 75 | 310 | 25 | 52 | 30 | 20 | 150 | 170 | 33.00 | 2 x 6 | M20 x 80 | 21 | M20 |

| Shunts 100 mV | | | | | | | | | | | | Current terminals | | | |
|--|---------|-----|----|-----|----|----|----|----|-----|-----|-------------|-------------------|----------|-----|-----|
| IN (A) | Version | a1 | a2 | b1 | b2 | b3 | c1 | c2 | e | h | Weight (kg) | LZ | Bolt | P | N |
| 1; 1,5; 2,5; 4; 6; 10; 15; 25 | A | 90 | 28 | 20 | - | - | 8 | - | 78 | - | 0.14 | 2 x 1 | M5 x 12 | 5.5 | - |
| 30, 40, 50, 60, 75, 80, 100, 125, 150, 160 | D | 145 | 33 | 25 | - | - | 8 | - | 125 | - | 0.20 | 2 x 1 | M8 x 16 | 8.5 | - |
| 200, 250, 300 | B | 190 | 55 | 30 | 15 | - | 10 | 10 | 150 | 30 | 0.65 | 2 x 1 | M12 x 40 | 13 | M12 |
| 300, 400, 500 | B | 190 | 55 | 40 | 20 | - | 10 | 10 | 150 | 30 | 1.00 | 2 x 1 | M16 x 45 | 17 | M16 |
| 500, 600 | B | 190 | 55 | 40 | 20 | - | 10 | 10 | 150 | 30 | 1.11 | 2 x 1 | M16 x 45 | 17 | M16 |
| 750, 800, 1000, 1200 | B | 210 | 65 | 60 | 30 | - | 10 | 10 | 160 | 30 | 2.00 | 2 x 1 | M20 x 50 | 21 | M20 |
| 1200, 1500, 2000 | B | 210 | 65 | 120 | 30 | 60 | 10 | 10 | 160 | 30 | 2.50 | 2 x 2 | M16 x 45 | 17 | M16 |
| 2000, 2500, 3000 | C | 210 | 65 | 120 | 30 | 60 | 15 | 10 | 160 | 60 | 3.20 | 2 x 2 | M20 x 60 | 21 | M20 |
| 3000, 4000, 5000 | C | 220 | 70 | 120 | 30 | 60 | 25 | 15 | 170 | 130 | 5.80 | 2 x 2 | M20 x 75 | 21 | M20 |
| 5000, 6000, 8000 | C | 220 | 70 | 154 | 25 | 52 | 25 | 15 | 170 | 130 | 12.00 | 2 x 3 | M20 x 75 | 21 | M20 |
| 8000, 10000 | C | 230 | 75 | 206 | 25 | 52 | 30 | 20 | 180 | 170 | 23.00 | 2 x 4 | M20 x 80 | 21 | M20 |
| 15000 | C | 230 | 75 | 310 | 25 | 52 | 30 | 20 | 180 | 170 | 34.00 | 2 x 6 | M20 x 80 | 21 | M20 |

IN - rated current / LZ - number of terminals / Bolt - hexagon bolt / P - washer / N - nut Voltage terminals