

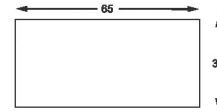
# CURRENT TRANSFORMERS

## AST Line - Protective Current transformers

### ASTP635H Protective current transformers

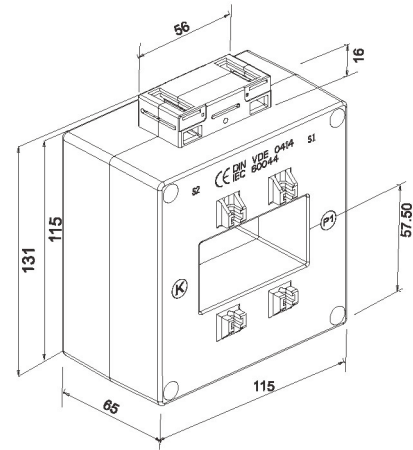


Dimensions: 115 x 131 x 65 mm  
 Primary bar: 60 x 30 mm



#### ASTP635H Technical Features, Executions

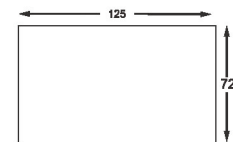
Primary rated current A	Rated burdens VA (sec. .../5A)		
	Class 5P10	Class 5P20	Class 10P20
300	5	-	5
400	10	5	5
500	10	5	5
600	10	5	5
630	10	5	5
700	10	5	5
750	10	5	5
800	10	5	10
1000	15	5	10
1200	15	10	10
1250	15	10	10
1500	15	10	10
1600	15	10	10
2000	15	-	10



### ASTP1257H Protective current transformers

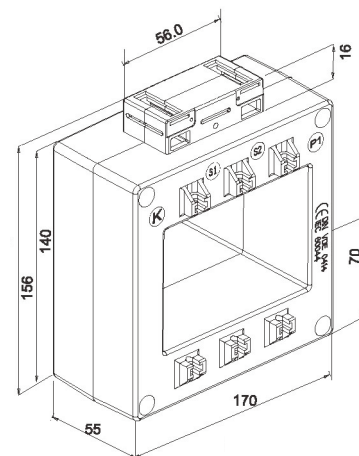


Dimensions: 170 x 156 x 55 mm  
 Primary bar 120 x 70 mm



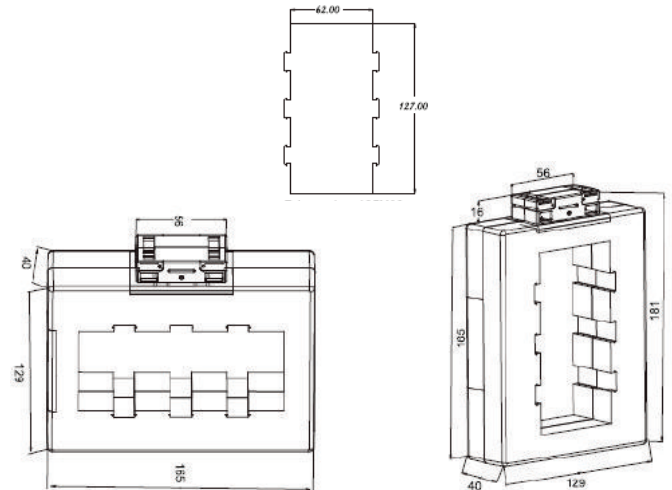
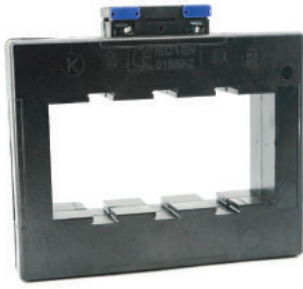
#### ASTP1257H Technical Features, Executions

Primary rated current A	Rated burdens VA (sec. .../5A)			
	Class 5P10	Class 10P10	Class 5P20	Class 10P20
800	15	10	-	5
1000	15	10	-	5
1200	15	10	5	10
1250	15	10	5	10
1500	15	10	5	10
1600	15	10	5	10
2000	15	10	-	10
2500	15	10	-	10
3000	15	10	-	10
3200	15	10	-	10
3500	15	10	-	-
4000	15	10	-	-



# CURRENT TRANSFORMERS

## AST1256 - Protective current transformers



Dimensions:

AST1256 165 x 145 x 40 mm

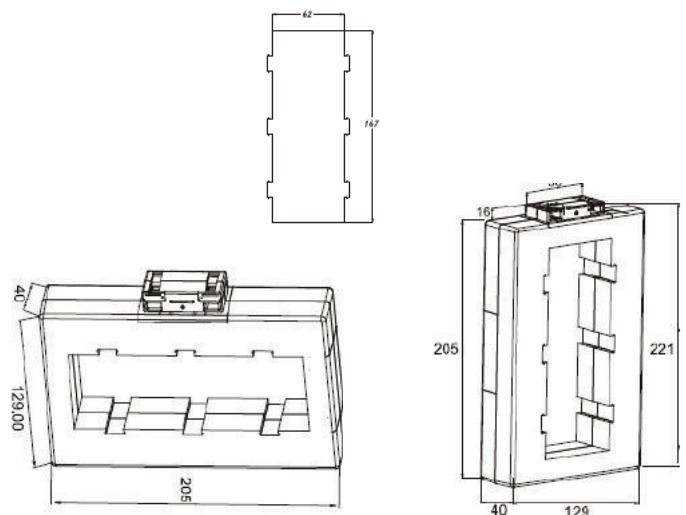
AST1256V 129 x 181 x 40 mm

Primary bar: 125 x 60 mm

### AST1256 / AST1256V Technical Features, Executions

Primary rated current A	sec. 5 A / Rated burdens VA			
	5P5	10P5	5P10	10P10
1500	10	10	2.5	2.5
2000	15	15	5	5
2500	20	20	5	5
3000	20	20	5	5
3200	30	30	7.5	7.5
3500	30	30	7.5	7.5
4000	20	20	-	-

## AST1656 - Protective current transformers



Dimensions:

AST1656 205 x 145 x 40 mm

AST1656V 129 x 221 x 40 mm

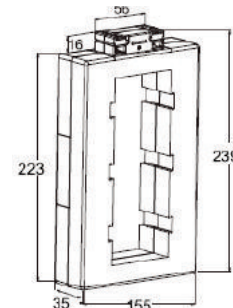
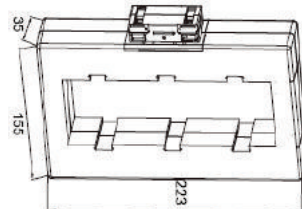
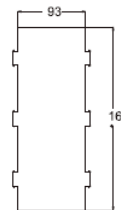
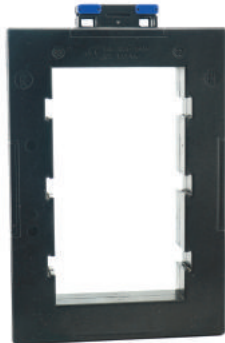
Primary bar: 165 x 60 mm

### AST1656 / AST1656V Technical Features, Executions

Primary rated current A	sec. 5 A / Rated burdens VA			
	5P5	10P5	5P10	10P10
2000	15	15	2.5	2.5
2500	20	20	3.75	3.75
3000	20	20	5	5
3200	20	20	5	5
3500	20	20	5	5
4000	30	30	5	5
5000	30	30	7.5	7.5

# CURRENT TRANSFORMERS

## AST1659 - Protective current transformers



Dimensions:

AST1659 223 x 171 x 35 mm

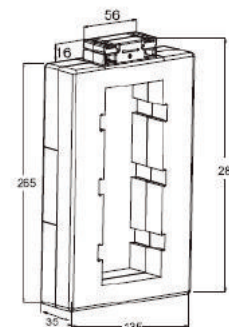
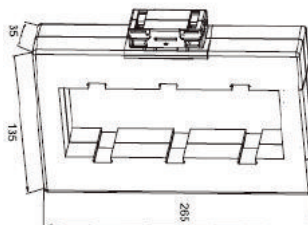
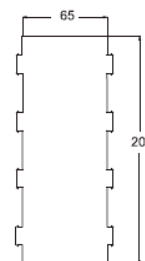
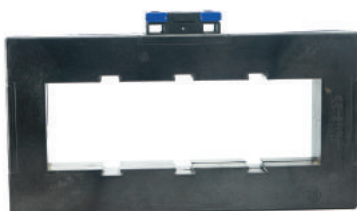
AST1659V 155 x 239 x 35 mm

Primary bar: 165 x 90 mm

### AST1659 / AST1659V Technical Features, Executions

Primary rated current A	sec. 5 A / Rated burdens VA			
	5P5	10P5	5P10	10P10
2000	15	15	3.75	3.75
2500	20	20	5	5
3000	20	20	5	5
3200	20	20	5	5
3500	20	20	5	5
4000	30	30	7.5	7.5
5000	30	30	7.5	7.5
6000	45	45	10	10

## AST2065 - Protective current transformers



Dimensions:

AST2065 265 x 151 x 35 mm

AST2065V 135 x 281 x 35 mm

Primary bar: 205 x 65 mm

### AST2065 / AST2065V Technical Features, Executions

Primary rated current A	sec. 5 A / Rated burdens VA			
	5P5	10P5	5P10	10P10
3000	20	20	5	5
3200	20	20	5	5
3500	20	20	5	5
4000	30	30	7.5	7.5
5000	30	30	7.5	7.5
6000	45	45	10	10